



GENERAL CATALOGUE

BALL VALVES

INDEX

- ▶ 1. NEW ITEMS
- ▶ 2. USE
- ▶ 2. BALL OR DADO® BALL
- ▶ 3. STANDARD PORT
OR FULL PORT
- ▶ 3. HEAVY TYPE SERIES
- ▶ 3. W SERIES
- ▶ 4. CERTIFICATIONS
- ▶ 5. R250D AND R250W STANDARD
PORT BALL VALVES
- ▶ 11. R285 BALL VALVES
WITH PUMP CONNECTION
- ▶ 12. R850 FULL PORT
BALL VALVE
- ▶ 13. R910 AND R910W
FULL PORT BALL VALVE
- ▶ 16. R950 HEAVY TYPE VALVE
WITH FULL PORT
- ▶ 17. R780 ANGLE BALL VALVE
- ▶ 20. BALL VALVE WITH SPEED REDUCER
- ▶ 21. BALL VALVES FOR METERS
- ▶ 22. TECHNICAL DATA
- ▶ 43. LOSS OF HEAD
- ▶ 52. ACCESSORIES



GENERAL CATALOGUE

NEW ITEMS MCE2008

MOSTRA CONVEGNO EXPOCOMFORT 2008

R850V



CE* 1115 According to "PED" 97/23/CE directive

Brass-finished ball valve, press-fittings with yellow O-ring according to standards EN549 and EN682 for gas and hydrocarbon fluids distribution plants and yellow lever handle. Full port.

CERTIFICATIONS



PART NUMBER	SIZE
R850VY103	ø15
R850VY104	ø22
R850VY105	ø28
R850VY106*	ø35
R850VY107*	ø42
R850VY108*	ø54

R850VW



Brass-finished ball valve, press-fittings with black O-ring according to standard EN681-1 for water distribution plants (drinking and heating water) and green lever handle. Full port. W Series.

CERTIFICATIONS



PART NUMBER	SIZE
R850VY137	ø42
R850VY138	ø54

R851VT



Brass-finished ball valve, press-fittings with black O-ring according to standard EN681-1 for water distribution plants (drinking and heating water) and with extended plastic T handle for pipes with high insulating thickness. Full port. W Series.

CERTIFICATIONS



PART NUMBER	SIZE
R851VY103	ø15
R851VY104	ø22
R851VY105	ø28
R851VY106	ø35

► USE

Giacomini ball valves were designed for high mechanical resistance, minimising the overall size, and to guarantee proper operation even with very high operating pressures. Materials used are appropriate for the application, in full safety conditions, on hot and cold water systems, food use fluids, gas, hydrocarbons, compressed air and dry saturated steam. The assembly of the stem from inside, tampering-proof, is appropriate for use in internal and external gas distribution networks.

This large array provides the solution to all needs!

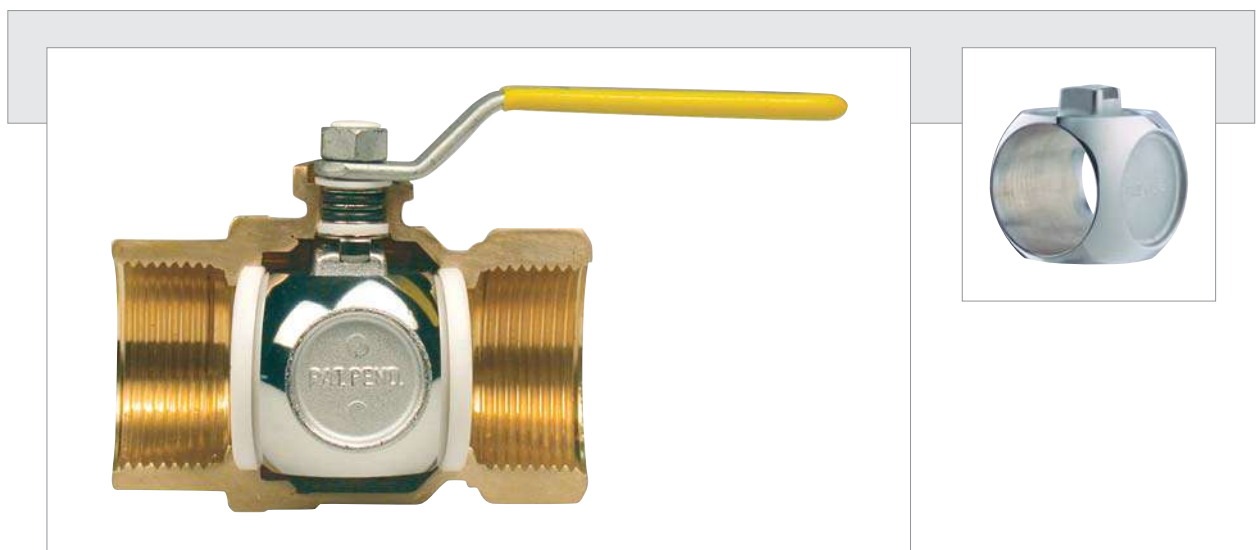
► DADO® ball valve

Traditional ball valves maintain the typical characteristics of the Giacomini production, which since the '50s guarantees quality and continuous improvement of materials and production processes, the result of decades of experience.

DADO® ball valve, instead, is an exclusive Giacomini model, which represented a revolution in the world of ball valves. Their "cubic" shape guarantees the removal of impurities from tightness seats, eliminating the possibility of damaging the gaskets, during the opening and closing operations; the impurities contained in the flow, in fact, deposit on the flat face of the ball and then are eliminated by fluid stream.

The reduced contact between the ball and the tightness seats reduces friction between the parts and consequently the manoeuvre torque of the valve is lower by around 15%-20% with respect to the one required by a traditional ball. The combined effect of these factors determines an extension of useful life of PTFE gaskets.

Traditional balls are assembled on the valves of families R250D, R850, R780, whereas DADO balls are assembled on the valves of families R910 and R950.





GENERAL CATALOGUE

▸ Standard port or Full port

Ball valves with standard port feature a free section for the port not lower than 75% of the one of the pipe on which they are assembled.

Ball valves with full port, instead, guarantee a free section for the port corresponding to the one of the pipe.

The valves of the family R250D have a standard port, whereas the valves of families R780, R850, R910 and R950 have an full port.

DN PIPE	DN STANDARD PORT	DN FULL PORT
8	8	8
10	10	10
15	14	15
20	18	20
25	22	25
32	28	32
40	35	40
50	45	50
65	58	65
75	68	75
100	90	100

▸ Heavy type series

The Heavy-type series includes ball valves of the family R950 and R951. Heavy type, guaranteed by wall thicknesses higher than all other Giacomini ball valves.

▸ W Series

Ball valves of the W Series, conforming with European standard EN 13828, represent the care of Giacomini for the sector of transportation of drinking water for households. The valves of families R250W, R910W and with speed reducer, in fact, are certified by the DVGW German institute; characterized by strict criteria of design and production, on the bottom of the ball they have an additional hole, crucial to guarantee the constant change of water that, during the manoeuvre operations, inevitably deposits in the space between valve and valve Body. This constant water change is crucial to prevent the development of bacterial colonies (typical event for stagnant waters). Ball valves of the W Series typically have the green control device.

► Certifications

Giacomini ball valves are among the most certified in the world, the safest and more resistant.

Below the table shows the symbols used in this catalogue.

Giacomini ball valves also comply with the specifications of the Ministerial Decree n.174 – Regulation concerning the materials and objects that can be used in fixed systems of uptake, treatment, delivery and distribution of waters for human consumption. It was put into force in July 2007.

CERTIFICATION	DESCRIPTION	COUNTRY
	CSA International - Canadian Standard Association	Canada
	Certification according to Ukrainian standards (Derzhstandard)	Ukraine
	Certificate of conformity with standards Gost-R (Gosudarstvennyj Standart)	Russia
	UL Underwriters Laboratories	USA
	FM Approval - Factory Mutual	USA
	Attestation de conformité sanitaire	France
	Certification according to Byelorussian standards	Byelorussia
	EMI Építésügyi Mimoségellenőrző Innováció	Hungary
	WRAS Water Regulations Advisory Scheme	UK
	DVGW Deutsche des Gas-und Wasserfaches	Vereinigung and.v. Germania
	Advantica	UK
	SVGW Schweizerische Verein des Gas-und Wasserfaches	Switzerland
	Marque NF RoB-GAZ certigaz	France
	OVGW Österreichischen Vereinigung für das Gas-und Wasserfaches	Austria
	CE Marking in compliance with PED	European Community



GENERAL CATALOGUE

► R250D and R250W - STANDARD PORT BALL VALVE

Ball valves R250D and R250W propose a large array of types of connections, with many control devices, with or without drain tap or sensor-holder. These valves have traditional balls with standard port installed.

R250D



CE* 1115 according to "PED" 97/23/CE directive

Chrome plated ball valve,
female connections and
lever handle.
Standard port.

CERTIFICATIONS



RED LEVER HANDLE

PART NUMBER	SIZE
R250X001	1/4"
R250X002	3/8"
R250X003	1/2"
R250X004	3/4"
R250X005	1"
R250X006*	1" 1/4
R250X007*	1" 1/2
R250X008*	2"
R250X009*	2" 1/2
R250X010*	3"
R250X011*	4"

YELLOW LEVER HANDLE

PART NUMBER	SIZE
R250X021	1/4"
R250X022	3/8"
R250X023	1/2"
R250X024	3/4"
R250X025	1"
R250X026*	1" 1/4
R250X027*	1" 1/2
R250X028*	2"
R250X029*	2" 1/2
R250X030*	3"
R250X031*	4"

R250W



Chrome plated ball valve,
female connections and
green lever handle.
Standard port.
W Series.

CERTIFICATIONS



PART NUMBER

SIZE

PART NUMBER	SIZE
R250WX002	3/8"
R250WX003	1/2"
R250WX004	3/4"
R250WX005	1"
R250WX006	1" 1/4
R250WX007	1" 1/2
R250WX008	2"

R250DS



Chrome plated ball valve,
female connections, red
lever handle and drain tap.
Standard port.

1/2"-3/4"-1": 1/4" drain tap
1"1/4-1"1/2-2": 3/8" drain tap.

CERTIFICATIONS



PART NUMBER

SIZE

PART NUMBER	SIZE
R250SX003	1/2"
R250SX004	3/4"
R250SX005	1"
R250SX006	1" 1/4
R250SX007	1" 1/2
R250SX008	2"

R251D



Chrome plated ball valve, female connections and T handle. Standard port.

CE* 1115 According to "PED" 97/23/CE directive

CERTIFICATIONS



RED T HANDLE

PART NUMBER	SIZE
R251X001	1/4"
R251X002	3/8"
R251X003	1/2"
R251X004	3/4"
R251X005	1"
R251X006*	1" 1/4

YELLOW T HANDLE

PART NUMBER	SIZE
R251X021	1/4"
R251X022	3/8"
R251X023	1/2"
R251X024	3/4"
R251X025	1"
R251X026*	1" 1/4

R251W



Chrome plated ball valve, female connections and green T handle. Standard port. W Series.

CERTIFICATIONS



PART NUMBER

PART NUMBER	SIZE
R251WX002	3/8"
R251WX003	1/2"
R251WX004	3/4"
R251WX005	1"
R251WX006	1" 1/4

R251S



Chrome plated ball valve, female connections, red T handle and 1/4" drain tap. Standard port.

CERTIFICATIONS



PART NUMBER

PART NUMBER	SIZE
R251SX003	1/2"
R251SX004	3/4"
R251SX005	1"

R251T



Ball valve, female connections, red T handle and sensor-holder connection. Standard port.

M10 female sensor-holder connection.

CERTIFICATIONS



CHROME PLATED

PART NUMBER	SIZE
R251TX004	3/4"
R251TX005	1"

BRASS FINISHED

PART NUMBER	SIZE
R251TY004	3/4"
R251TY005	1"



GENERAL CATALOGUE

R251TH



Chrome plated ball valve, female connections, with extended plastic T handle for pipes with high insulating thickness. Standard port.

CE* 1115 according to "PED" 97/23/CE directive

CERTIFICATIONS



PART NUMBER SIZE

R251X052	3/8"
R251X053	1/2"
R251X054	3/4"
R251X055	1"
R251X056*	1" 1/4
R251X057*	1" 1/2
R251X058*	2"

R253D



Chrome plated ball valve, male connections and T handle. Standard port.

CE* 1115 According to "PED" 97/23/CE directive

CERTIFICATIONS



RED T HANDLE

PART NUMBER	SIZE
R253X002	3/8"
R253X003	1/2"
R253X004	3/4"
R253X005	1"
R253X006*	1" 1/4

YELLOW T HANDLE

PART NUMBER	SIZE
R253X022	3/8"
R253X023	1/2"
R253X024	3/4"
R253X025	1"
R253X026*	1" 1/4

R253W



Chrome plated ball valve, male connections and green T handle. Standard port. W Series.

CERTIFICATIONS



PART NUMBER SIZE

R253WX002	3/8"
R253WX003	1/2"
R253WX004	3/4"
R253WX005	1"
R253WX006	1" 1/4

R253DL



Chrome plated ball valve, male connections and lever handle. Standard port.

CE* 1115 According to "PED" 97/23/CE directive

CERTIFICATIONS



RED LEVER HANDLE

PART NUMBER	SIZE
R253LX002	3/8"
R253LX003	1/2"
R253LX004	3/4"
R253LX005	1"
R253LX006*	1" 1/4

YELLOW LEVER HANDLE

PART NUMBER	SIZE
R253LX022	3/8"
R253LX023	1/2"
R253LX024	3/4"
R253LX025	1"
R253LX026*	1" 1/4

R253WL



Chrome plated ball valve, male connections and green lever handle. Standard port. W Series.

CERTIFICATIONS



PART NUMBER	SIZE
R253WX032	3/8"
R253WX033	1/2"
R253WX034	3/4"
R253WX035	1"
R253WX036	1" 1/4"

R254D



Chrome plated ball valve, female-male connections and T handle. Standard port.

CERTIFICATIONS



RED T HANDLE

PART NUMBER	SIZE
R254X001	1/4"
R254X002	3/8"
R254X003	1/2"
R254X004	3/4"
R254X005	1"
R254X006*	1" 1/4"

YELLOW T HANDLE

PART NUMBER	SIZE
R254X021	1/4"
R254X022	3/8"
R254X023	1/2"
R254X024	3/4"
R254X025	1"
R254X026*	1" 1/4"

CE* 1115 According to "PED" 97/23/CE directive

R254W



Chrome plated ball valve, female-male connections and green T handle. Standard port. W Series.

CERTIFICATIONS



PART NUMBER	SIZE
R254WX002	3/8"
R254WX003	1/2"
R254WX004	3/4"
R254WX005	1"
R254WX006	1" 1/4"

R254DL



Chrome plated ball valve, female-male connections and lever handle. Standard port.

CERTIFICATIONS



RED LEVER HANDLE

PART NUMBER	SIZE
R254LX001	1/4"
R254LX002	3/8"
R254LX003	1/2"
R254LX004	3/4"
R254LX005	1"
R254LX006*	1" 1/4"
R254LX007*	1" 1/2"
R254LX008*	2"

YELLOW LEVER HANDLE

PART NUMBER	SIZE
R254LX021	1/4"
R254LX022	3/8"
R254LX023	1/2"
R254LX024	3/4"
R254LX025	1"
R254LX026*	1" 1/4"
R254LX027*	1" 1/2"
R254LX028*	2"

CE* 1115 According to "PED" 97/23/CE directive



GENERAL CATALOGUE

R254WL



Chrome plated ball valve, female-male connections and green lever handle. Standard port. W Series.

CERTIFICATIONS



PART NUMBER SIZE

R254WX032	3/8"
R254WX033	1/2"
R254WX034	3/4"
R254WX035	1"
R254WX036	1" 1/4"

R258CC



Chrome plated ball valve, press-fittings and red lever handle. Standard port.

CERTIFICATIONS



PART NUMBER SIZE

R258CX002	ø15
R258CX005	ø22
R258CX006	ø28

R258D



Brass-finished ball valve, with solder connections and red lever or T handle. Standard port.

CERTIFICATIONS



RED T HANDLE

PART NUMBER	SIZE
R258Y012	ø15
R258Y014	ø18
R258Y015	ø22
R258Y016	ø28
R258Y017*	ø35

RED LEVER HANDLE

PART NUMBER	SIZE
R258Y002	ø15
R258Y004	ø18
R258Y005	ø22
R258Y006	ø28
R258Y007*	ø35

CE* 1115 According to "PED" 97/23/CE directive

R259D



Ball valve, female-male connections with pipe union and red T handle. Standard port.

CERTIFICATIONS



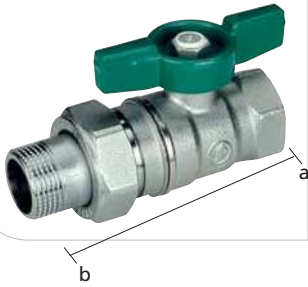
CHROME PLATED

PART NUMBER	SIZE a.b
R259X003	1/2" x 1/2"
R259X004	1/2" x 3/4"
R259X005	3/4" x 3/4"
R259X006	3/4" x 1"
R259X007	1" x 1"
R259X008	1" x 1" 1/4"
R259X009	1" 1/4 x 1" 1/4"

BRASS FINISHED

PART NUMBER	SIZE a.b
R259Y003	1/2" x 1/2"
R259Y005	3/4" x 3/4"
R259Y006	3/4" x 1"
R259Y007	1" x 1"
R259Y008	1" x 1" 1/4"
R259Y009	1" 1/4 x 1" 1/4"

R259W



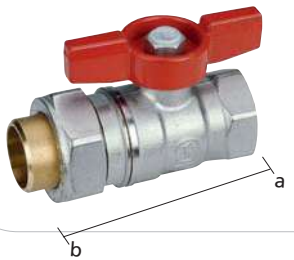
Chrome plated ball valve, female-male connections with pipe union and green T handle. Standard port. W Series.

CERTIFICATIONS



PART NUMBER	SIZE a:b
R259WX003	1/2" x 1/2"
R259WX004	1/2" x 3/4"
R259WX005	3/4" x 3/4"
R259WX006	3/4" x 1"
R259WX007	1" x 1"
R259WX008	1" x 1" 1/4
R259WX009	1" 1/4 x 1" 1/4

R259DC



Ball valve, female-male connections with solder pipe union and red T handle. Standard port.

CHROME PLATED

PART NUMBER	SIZE a:b
R259CX003	1/2" x 15
R259CX005	3/4" x 22
R259CX007	1" x 28

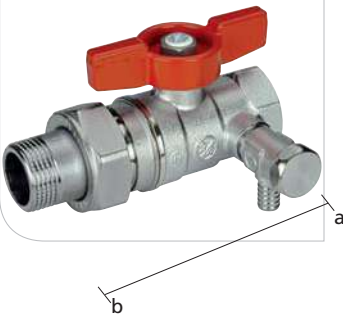
BRASS FINISHED

PART NUMBER	SIZE a:b
R259CY003	1/2" x 15
R259CY005	3/4" x 22
R259CY007	1" x 28

CERTIFICATIONS



R259DS



Chrome plated ball valve, female-male connections with pipe union, red T handle and drain tap. Standard port.

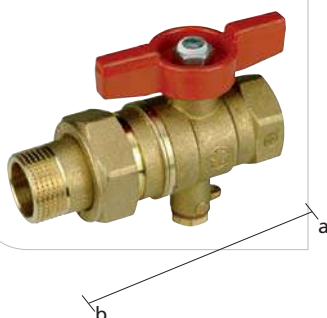
1/4" drain tap except R259SX009 with 3/8" drain tap

CERTIFICATIONS



PART NUMBER	SIZE a:b
R259SX003	1/2" x 1/2"
R259SX004	1/2" x 3/4"
R259SX005	3/4" x 3/4"
R259SX006	3/4" x 1"
R259SX007	1" x 1"
R259SX008	1" x 1" 1/4
R259SX009	1" 1/4 x 1" 1/4

R259T



Standard port ball valve, brass finish with tail piece and sensor connection M10, female connection, red T handle.

M10 female sensor-holder connection.

CERTIFICATIONS



PART NUMBER	SIZE a:b
R259TY005	3/4" x 3/4"
R259TY006	3/4" x 1"
R259TY007	1" x 1"



GENERAL CATALOGUE

► R285 BALL VALVES WITH PUMP CONNECTION

Ball valves R285 have a kind of shaping of the flange that allows inserting them in the caps connecting them to the pump, in addition they have an extended stem that allows the adjustment organs (lever or T handle) to operate without interfering and damaging the thickness of the insulation. Traditional standard port balls are installed on these valves.

R285



Brass-finished ball valve, flat base connection for pump connection and red T handle raised for insulation. Standard port.

CERTIFICATIONS



PART NUMBER	SIZE a x b
R285Y001	1" x 1 1/2"
R285Y002	1 1/4" x 1 1/2"
R285Y003	1 1/4" x 2"

R285L



Brass-finished ball valve, flat base connection for pump connection and red lever handle raised for insulation. Standard port.

CERTIFICATIONS



PART NUMBER	SIZE a x b
R285LY001	1" x 1 1/2"
R285LY002	1 1/4" x 1 1/2"
R285LY003	1 1/4" x 2"

► R850 BALL VALVE WITH FULL PORT

R850 is a valve with full port traditional ball. It can be found in the version with female connections with many control devices or in the version with press-fittings.

R850



CE* 1115 According to "PED" 97/23/CE directive

Chrome plated ball valve, female connections and lever handle. Full port.

CERTIFICATIONS



RED LEVER HANDLE

PART NUMBER	SIZE
R850X021	1/4"
R850X022	3/8"
R850X023	1/2"
R850X024	3/4"
R850X025	1"
R850X026*	1" 1/4"
R850X027*	1" 1/2"
R850X028*	2"

YELLOW LEVER HANDLE

PART NUMBER	SIZE
R850X001	1/4"
R850X002	3/8"
R850X003	1/2"
R850X004	3/4"
R850X005	1"
R850X006*	1" 1/4"
R850X007*	1" 1/2"
R850X008*	2"

R851



CE* 1115 According to "PED" 97/23/CE directive

Chrome plated ball valve, female connections and T handle. Full port.

CERTIFICATIONS



RED T HANDLE

PART NUMBER	SIZE
R851X021	1/4"
R851X022	3/8"
R851X023	1/2"
R851X024	3/4"
R851X025	1"
R851X026*	1" 1/4"

YELLOW T HANDLE

PART NUMBER	SIZE
R851X001	1/4"
R851X002	3/8"
R851X003	1/2"
R851X004	3/4"
R851X005	1"
R851X006*	1" 1/4"

R851TH



CE* 1115 According to "PED" 97/23/CE directive

Chrome plated ball valve, female connections, with extended plastic T handle for pipes with high insulation thickness. Full port.

CERTIFICATIONS



PART NUMBER

PART NUMBER	SIZE
R851TX002	3/8"
R851TX003	1/2"
R851TX004	3/4"
R851TX005	1"
R851TX006*	1" 1/4"
R851TX007*	1" 1/2"
R851TX008*	2"



GENERAL CATALOGUE

► R910 AND R910W DADO® BALL VALVES WITH FULL PORT

Ball valves R910 and R910W propose a large array of types of connections, with lever or T handle control devices with or without drain tap. These valves have DADO® balls with full port installed.

R910



DADO® ball valve, nickel plated, female connections and lever handle. Full port.

CE* 1115 According to "PED" 97/23/CE directive

CERTIFICATIONS



RED LEVER HANDLE

PART NUMBER	SIZE
R910X022	3/8"
R910X023	1/2"
R910X024	3/4"
R910X025	1"
R910X026*	1" 1/4
R910X027*	1" 1/2
R910X028*	2"
R910X029*	2" 1/2
R910X030*	3"
R910X031*	4"

YELLOW LEVER HANDLE

PART NUMBER	SIZE
R910X002	3/8"
R910X003	1/2"
R910X004	3/4"
R910X005	1"
R910X006*	1" 1/4
R910X007*	1" 1/2
R910X008*	2"
R910X009*	2" 1/2
R910X010*	3"
R910X011*	4"

R910W



DADO® ball valve, nickel plated, female connections and green lever handle. Full port. W Series.

CERTIFICATIONS



PART NUMBER

PART NUMBER	SIZE
R910WX002	3/8"
R910WX003	1/2"
R910WX004	3/4"
R910WX005	1"
R910WX006	1" 1/4
R910WX007	1" 1/2
R910WX008	2"

R910S



DADO® ball valve, nickel plated, female connections, red lever handle and drain tap. Full port.

1/2"-3/4"-1": 1/4" drain tap
1"1/4-1"1/2-2": 3/8".drain tap

CERTIFICATIONS



PART NUMBER

PART NUMBER	SIZE
R910SX003	1/2"
R910SX004	3/4"
R910SX005	1"
R910SX006	1" 1/4
R910SX007	1" 1/2
R910SX008	2"

R911



CE* 1115 According to "PED" 97/23/CE directive

DADO® ball valve, nickel plated, female connections and T handle. Full port.

CERTIFICATIONS



RED T HANDLE

PART NUMBER	SIZE
R911X022	3/8"
R911X023	1/2"
R911X024	3/4"
R911X025	1"
R911X026*	1" 1/4

YELLOW T HANDLE

PART NUMBER	SIZE
R911X002	3/8"
R911X003	1/2"
R911X004	3/4"
R911X005	1"
R911X006*	1" 1/4

R911W



CE* 1115 According to "PED" 97/23/CE directive

DADO® ball valve, nickel plated, female connections and T handle. Full port. W Series.

CERTIFICATIONS



PART NUMBER

PART NUMBER	SIZE
R911WX002	3/8"
R911WX003	1/2"
R911WX004	3/4"
R911WX005	1"
R911WX006	1" 1/4

R913



CE* 1115 According to "PED" 97/23/CE directive

DADO® ball valve, nickel plated, male connections and red T handle. Full port.

CERTIFICATIONS



PART NUMBER

PART NUMBER	SIZE
R913X022	3/8"
R913X023	1/2"
R913X024	3/4"
R913X025	1"
R913X026*	1" 1/4



GENERAL CATALOGUE

R913L



DADO® ball valve, nickel plated, male connections and red lever handle. Full port.

CE* 1115 According to "PED" 97/23/CE directive



PART NUMBER	SIZE
R913LX022	3/8"
R913LX023	1/2"
R913LX024	3/4"
R913LX025	1"
R913LX026*	1" 1/4"

R914



DADO® ball valve, nickel plated, female-male connections and T handle. Full port.

CE* 1115 According to "PED" 97/23/CE directive



RED T HANDLE	
PART NUMBER	SIZE
R914X021	1/4"
R914X022	3/8"
R914X023	1/2"
R914X024	3/4"
R914X025	1"
R914X026*	1" 1/4"

YELLOW T HANDLE	
PART NUMBER	SIZE
R914X001	1/4"
R914X002	3/8"
R914X003	1/2"
R914X004	3/4"
R914X005	1"
R914X006*	1" 1/4"

R914L



DADO® ball valve, nickel plated, female-male connections and lever handle. Full port.

CE* 1115 According to "PED" 97/23/CE directive



RED LEVER HANDLE	
PART NUMBER	SIZE
R914LX021	1/4"
R914LX022	3/8"
R914LX023	1/2"
R914LX024	3/4"
R914LX025	1"
R914LX026*	1" 1/4"
R914LX027*	1" 1/2"
R914LX028*	2"

YELLOW LEVER HANDLE	
PART NUMBER	SIZE
R914LX001	1/4"
R914LX002	3/8"
R914LX003	1/2"
R914LX004	3/4"
R914LX005	1"
R914LX006*	1" 1/4"
R914LX007*	1" 1/2"
R914LX008*	2"

R918



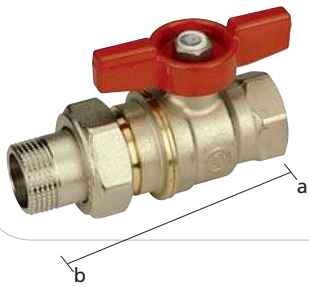
DADO® ball valve, nickel plated, female-male connections and lever handle. Full port.

CE* 1115 According to "PED" 97/23/CE directive



PART NUMBER	SIZE
R918Y003	15
R918Y004	22
R918Y005	28
R918Y006*	35

R919



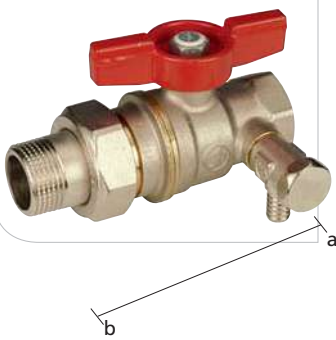
DADO® ball valve, nickel plated, female-male connections with pipe union and red T handle. Full port.

CERTIFICATIONS



PART NUMBER	SIZE a:b
R919X003	1/2" x 1/2"
R919X004	1/2" x 3/4"
R919X005	3/4" x 3/4"
R919X006	3/4" x 1"
R919X007	1" x 1"
R919X008	1" x 1" 1/4
R919X009	1" 1/4 x 1" 1/4

R919S



DADO® ball valve, nickel plated, female-male connections with pipe union, red T handle and drain tap. Full port.

1/4" Drain tap except R919SX009 with 3/8" drain tap

CERTIFICATIONS



PART NUMBER	SIZE a:b
R919SX003	1/2" x 1/2"
R919SX004	1/2" x 3/4"
R919SX005	3/4" x 3/4"
R919SX006	3/4" x 1"
R919SX007	1" x 1"
R919SX008	1" x 1" 1/4
R919SX009	1" 1/4 x 1" 1/4

► R950 DADO® BALL VALVES, HEAVY-TYPE WITH FULL PORT

R950 is a DADO® ball valve with Full port. Heavy type. Available in the version with female connections and lever or T handle.

R950



DADO® ball valve, nickel plated, female connections and lever handle. Full port. Heavy-type series. Certified in compliance with the European Standard EN 331: 1998 by DVGW, CERTigaz and ADVANTICA

CE* 1115 According to "PED" 97/23/CE directive

CERTIFICATIONS



RED LEVER HANDLE

PART NUMBER	SIZE
R950X021	1/4"
R950X022	3/8"
R950X023	1/2"
R950X024	3/4"
R950X025	1"
R950X026*	1" 1/4
R950X027*	1" 1/2
R950X028*	2"

YELLOW LEVER HANDLE

PART NUMBER	SIZE
R850X001	1/4"
R950X002	3/8"
R950X003	1/2"
R950X004	3/4"
R950X005	1"
R950X006*	1" 1/4
R950X007*	1" 1/2
R950X008*	2"



GENERAL CATALOGUE

R951



DADO® ball valve,
nickel plated, female
connections and T handle.
Full port.
Heavy-type series.

CE* 1115 According to "PED" 97/23/CE directive

CERTIFICATIONS



RED T HANDLE

PART NUMBER	SIZE
R951X021	1/4"
R951X022	3/8"
R951X023	1/2"
R951X024	3/4"
R951X025	1"
R951X026*	1" 1/4

YELLOW T HANDLE

PART NUMBER	SIZE
R951X001	1/4"
R951X002	3/8"
R951X003	1/2"
R951X004	3/4"
R951X005	1"
R951X006*	1" 1/4

► R780 ANGLE BALL VALVES

R780 angle ball valves can be used mainly in the applications in which a connection is required with wall-mounted connections. A large array of types of connections is offered, with lever or T handle control devices and with full port traditional ball.

R780



Angle ball valve,
chrome plated, male-female
connection, flat base and
yellow T handle.
Full port.

CERTIFICATIONS



PART NUMBER

SIZE

R780X003	1/2"
R780X004	3/4"
R780X005	1"

R780L



Angle ball valve,
chrome plated, male-female
connections, flat base and
yellow lever handle.
Full port.

CERTIFICATIONS



PART NUMBER

SIZE

R780LX003	1/2"
R780LX004	3/4"
R780LX005	1"

R781



Angle ball valve, chrome plated, female-male connections, flat base and yellow T handle. Full port.

CERTIFICATIONS



PART NUMBER	SIZE
R781X003	1/2"
R781X004	3/4"
R781X005	1"

R781L



Angle ball valve, chrome plated, female-male connections, flat base and yellow lever handle. Full port.

CERTIFICATIONS



PART NUMBER	SIZE
R781LX003	1/2"
R781LX004	3/4"
R781LX005	1"

R782



Angle ball valve, chrome plated, male-male connections flat base and yellow T handle. Full port.

CERTIFICATIONS



PART NUMBER	SIZE
R782X003	1/2"
R782X004	3/4"
R782X005	1"

R782L



Angle ball valve, chrome plated, male-male connections, flat base and yellow lever handle. Full port.

CERTIFICATIONS



PART NUMBER	SIZE
R782LX003	1/2"
R782LX004	3/4"
R782LX005	1"



GENERAL CATALOGUE

R783



Angle ball valve, chrome plated, female-female connections and yellow T handle. Full port.

CERTIFICATIONS



PART NUMBER	SIZE
R783X003	1/2"
R783X004	3/4"
R783X005	1"

R783L



Angle ball valve, chrome plated, female-male connections with pipe union and red T handle. Full port.

CERTIFICATIONS



PART NUMBER	SIZE
R783LX003	1/2"
R783LX004	3/4"
R783LX005	1"

R789



Angle ball valve, chrome plated, female-male connections with pipe union and red T handle. Full port.

CERTIFICATIONS



PART NUMBER	SIZE
R789X003	1/2"x1/2"
R789X005	3/4"x3/4"
R789X007	1"x1"

▶ BALL VALVES WITH SPEED REDUCTION

Ball valves with speed reducer are equipped with a specific control device that allows multiplying three-fold the closing time of the ball and consequently removing the water hammer in the water distribution networks. These valves have traditional standard port balls, with a small hole on the bottom. These are W Series valves, that is DVGW certified according to the EN13828 standard.

R281



Chrome plated ball valve, female connections and slowed down operation. Standard port. W Series.

CERTIFICATIONS



PART NUMBER	SIZE
R281X004	3/4"

R289



Chrome plated ball valve, female-male connections with pipe union and slowed down operation. Standard port. W Series.

CERTIFICATIONS



PART NUMBER	SIZE
R289X004	3/4"

R289S



Chrome plated ball valve, female-male connections with pipe union and slowed down operation and 1/4" drain tap. Standard port. W Series.

CERTIFICATIONS



PART NUMBER	SIZE
R289SX004	3/4"

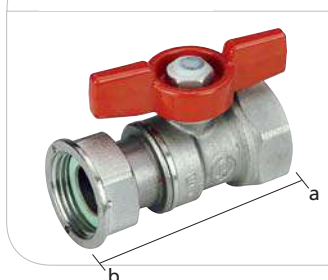


GENERAL CATALOGUE

▶ BALL VALVES FOR METERS

Ball valves for meters are used to shut off the port of fluids in the installations of flow rate measuring devices, water meters, hydrocarbon meters and heat meters. These valves have a fixed cap equipped with small circumferential holes for the connection of any type of meter with flat seat connections with the possibility of seals and lead-sealing.

R251P



Ball valve for meters, female-female connections, with fixed cap and red T handle. Standard port.

CERTIFICATIONS



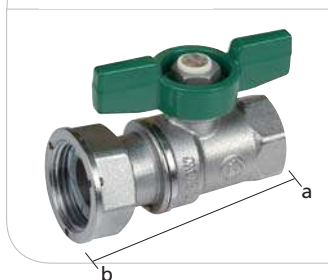
CHROME PLATED

PART NUMBER	SIZE a.b
R251PX003	1/2" x 3/4"
R251PX004	3/4" x 3/4"
R251PX005	3/4" x 1"
R251PX006	1" x 1"

BRASS FINISHED

PART NUMBER	SIZE a.b
R251PY003	1/2" x 3/4"
R251PY004	3/4" x 3/4"
R251PY005	3/4" x 1"
R251PY006	1" x 1"

R251WP



Ball valve for meters, female-female connections, with fixed cap and green T handle. Standard port. W Series.

CERTIFICATIONS



CHROME PLATED

PART NUMBER	SIZE a.b
R251WX053	1/2" x 3/4"
R251WX054	3/4" x 3/4"
R251WX055	3/4" x 1"
R251WX056	1" x 1"

BRASS FINISHED

PART NUMBER	SIZE a.b
R251WY053	1/2" x 3/4"
R251WY054	3/4" x 3/4"
R251WY055	3/4" x 1"
R251WY056	1" x 1"

R254P



Ball valve for meters, male-female connections with fixed cap and red T handle. Standard port.

CERTIFICATIONS



CHROME PLATED

PART NUMBER	SIZE a.b
R254PX004	3/4" x 3/4"

BRASS FINISHED

PART NUMBER	SIZE a.b
R254PY003	1/2" x 3/4"
R254PY004	3/4" x 3/4"

R752



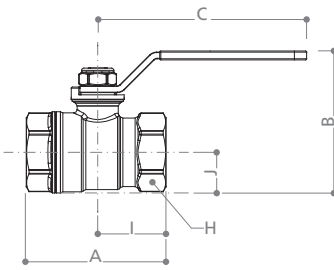
Chrome plated ball valve, for meters, female-female connections with telescopic pipe union and fixed cap, and red T handle. Standard port.

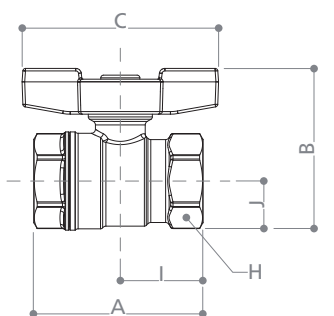
CERTIFICATIONS



PART NUMBER	SIZE a.b
R752X003	1/2" x 3/4"
R752X005	3/4" x 1"

► DATI TECNICI

	Materials								
	<p>Body: CW617N - EN 12165 hot-pressed brass, chrome plated Sleeve: CW617N - EN 12165 hot-pressed brass, chrome plated Stem: CW614N – EN 12164 bar turned brass, with inner and outer anti-friction rings and double sealing O-ring Ball: CW617N brass, chrome plated Gaskets: PTFE with low friction profile Handle: steel lever with plasticized coating Nut: in DACROMET with guarantee seal and hologram</p>								
Field of application									
Max. working conditions with dry saturated steam:						185°C at 1,05 MPa (10,5 bar)			
Max. working pressure with non dangerous water and gas:						4,2 MPa (42 bar), from 1/4" to 3/4"			
						3,5 MPa (35 bar), from 1" to 2"			
						2,8 MPa (28 bar), from 2"1/2 to 4"			
Max. operating pressure (MOP) with gas:						0,5 MPa (5bar)			
Max. operating working pressure with fluid hydrocarbons:						1,2 MPa (12bar)			
ITEM	SIZE	DN	A	I	B	J	C	H	
R250D R250W R250DS	1/4"	8	39	21	36	10	42	17	
	3/8"	10	45	22	46	14	77	21	
	1/2"	14	54	27	48	15	77	25	
	3/4"	18	62	31	64	18	94	32	
	1"	22	75	38	73	23	94	39	
	1"1/4	28	84	42	82	28	94	48	
	1"1/2	35	93	46	100	33	136	55	
	2"	45	107	54	115	41	136	67	
	2"1/2	58	143	73	154	52	173	82	
	3"	68	160	80	169	60	173	98	
4"	90	203	104	207	77	187	122		

	Materials								
	<p>Body: CW617N - EN 12165 hot-pressed brass, chrome plated Sleeve: CW617N - EN 12165 hot-pressed brass, chrome plated Stem: CW614N – EN 12164 bar turned brass, with inner and outer anti-friction rings and double sealing O-ring Ball: CW617N brass, chrome plated Gaskets: PTFE with low friction profile Handle: painted aluminium T-handle Nut: in DACROMET with guarantee seal and hologram</p>								
Field of application									
Max. working conditions with dry saturated steam:						185°C at 1,05 MPa (10,5 bar)			
Max. working pressure with non dangerous water and gas:						4,2 MPa (42 bar), from 1/4" to 3/4"			
						3,5 MPa (35 bar), from 1" to 1"1/4"			
Max. operating pressure (MOP) with gas:						0,5 MPa (5bar)			
Max. operating working pressure with fluid hydrocarbons:						1,2 MPa (12bar)			
ITEM	SIZE	DN	A	I	B	J	C	H	
R251D R251W R251S R251T	1/4"	8	39	21	36	10	42	17	
	3/8"	10	45	22	46	14	77	21	
	1/2"	14	54	27	48	15	77	25	
	3/4"	18	62	31	64	18	94	32	
	1"	22	75	38	73	23	94	39	
	1"1/4	28	84	42	82	28	94	48	



GENERAL CATALOGUE

ITEM	SIZE	DN	A	I	B	J	C	H
R251TH	3/8"	10	45	22	75	14	78	21
	1/2"	14	54	27	77	15	78	25
	3/4"	18	62	31	86	18	78	32
	1"	22	75	38	95	23	78	39
	1" 1/4	28	84	42	104	28	78	48
	1" 1/2	35	93	46	136	33	98	55
	2"	45	107	54	107	41	98	67

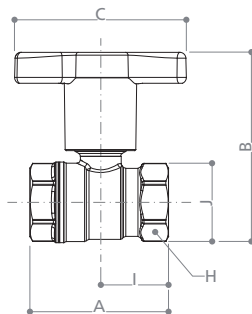
ITEM	SIZE	DN	A	I	B	J	C	H
R253D R253W	3/8"	10	58	22	49	14	63	19
	1/2"	14	66	27	51	15	63	22
	3/4"	18	76	31	60	18	73	29
	1"	22	88	38	69	23	73	36
	1" 1/4	28	104	42	78	28	73	44

Materials

Body: CW617N - EN 12165 hot-pressed brass, chrome plated
Sleeve: CW617N - EN 12165 hot-pressed brass, chrome plated
Stem: CW614N - EN 12164 bar turned brass, with inner and outer anti-friction rings and double sealing O-ring
Ball: CW617N brass, chrome plated
Gaskets: PTFE with low friction profile
Handle: glass-charged polyamide extended T with reinforcing plate on the steel base
Nut: in DACROMET with guarantee seal and hologram

Field of application

Max. working conditions with dry saturated steam: 185°C at 1,05 MPa (10,5 bar)
 Max. working pressure with non dangerous water and gas: 4,2 MPa (42 bar), from 3/8" to 3/4"
 3,5 MPa (35 bar), from 1" to 2"
 Max. operating pressure (MOP) with gas: 0,5 MPa (5bar)
 Max. operating working pressure with fluid hydrocarbons: 1,2 MPa (12bar)

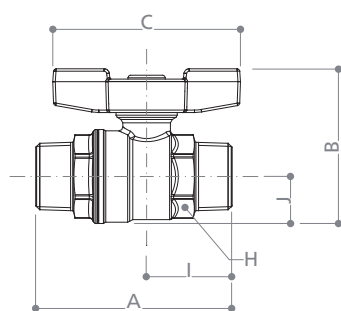


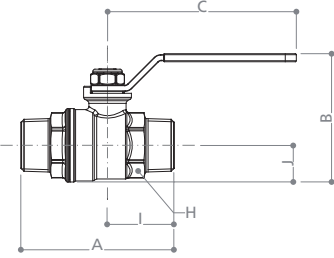
Materials

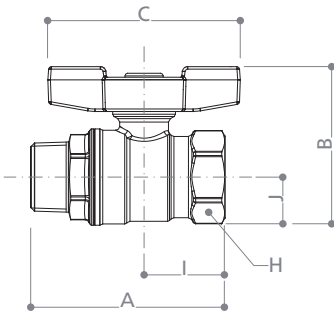
Body: CW617N - EN 12165 hot-pressed brass, chrome plated
Sleeve: CW617N - EN 12165 hot-pressed brass, chrome plated
Stem: CW614N - EN 12164 bar turned brass, with inner and outer anti-friction rings and double sealing O-ring
Ball: CW617N brass, chrome plated
Gaskets: PTFE with low friction profile
Handle: painted aluminium T-handle
Nut: in DACROMET with guarantee seal and hologram

Field of application

Max. working conditions with dry saturated steam: 185°C at 1,05 MPa (10,5 bar)
 Max. working pressure with non dangerous water and gas: 4,2 MPa (42 bar), from 3/8" to 3/4"
 3,5 MPa (35 bar), from 1" to 1" 1/4"
 Max. operating pressure (MOP) with gas: 0,5 MPa (5bar)
 Max. operating working pressure with fluid hydrocarbons: 1,2 MPa (12bar)



	Materials Body: CW617N - EN 12165 hot-pressed brass, chrome plated Sleeve: CW617N - EN 12165 hot-pressed brass, chrome plated Stem: CW614N – EN 12164 bar turned brass, with inner and outer anti-friction rings and double sealing O-ring Ball: CW617N brass, chrome plated Gaskets: PTFE with low friction profile Handle: steel lever with plasticized coating Nut: in DACROMET with guarantee seal and hologram							
	Field of application Max. working conditions with dry saturated steam: 185°C at 1,05 MPa (10,5 bar) Max. working pressure with non dangerous water and gas: 4,2 MPa (42 bar), from 3/8" to 3/4" 3,5 MPa (35 bar), from 1" to 1" 1/4 Max. operating pressure (MOP) with gas: 0,5 MPa (5bar) Max. operating working pressure with fluid hydrocarbons: 1,2 MPa (12bar)							
ITEM	SIZE	DN	A	I	B	J	C	H
R253DL R253WL	3/8"	10	58	22	46	14	77	19
	1/2"	14	66	27	48	15	77	22
	3/4"	18	76	31	64	18	94	29
	1"	22	88	38	73	23	94	36
	1" 1/4	28	104	42	82	28	94	44

	Materials Body: CW617N - EN 12165 hot-pressed brass, chrome plated Sleeve: CW617N - EN 12165 hot-pressed brass, chrome plated Stem: CW614N – EN 12164 bar turned brass, with inner and outer anti-friction rings and double sealing O-ring Ball: CW617N brass, chrome plated Gaskets: PTFE with low friction profile Handle: painted aluminium T-handle Nut: in DACROMET with guarantee seal and hologram							
	Field of application Max. working conditions with dry saturated steam: 185°C at 1,05 MPa (10,5 bar) Max. working pressure with non dangerous water and gas: 4,2 MPa (42 bar), from 1/4" to 3/4" 3,5 MPa (35 bar), from 1" to 1" 1/4 Max. operating pressure (MOP) with gas: 0,5 MPa (5bar) Max. operating working pressure with fluid hydrocarbons: 1,2 MPa (12bar)							
ITEM	SIZE	DN	A	I	B	J	C	H
R254D R254W	1/4"	8	51	21	35	9,6	40	6,6
	3/8"	10	55	22	49	14	63	6,7
	1/2"	14	64	27	51	15	63	10,2
	3/4"	18	74	31	60	18	73	18,5
	1"	22	86	38	69	23	73	36,3
	1" 1/4	28	100	42	78	28	73	73,5



GENERAL CATALOGUE

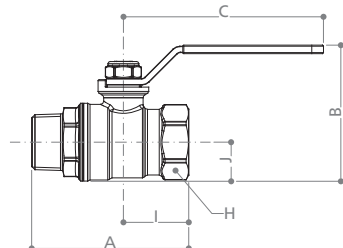
ITEM	SIZE	DN	A	I	B	J	C	H
R254DL R254WL	1/4"	8	51	21	36	9,6	42	6,6
	3/8"	10	55	22	46	14	77	6,7
	1/2"	14	64	27	48	15	77	10,2
	3/4"	18	74	31	64	18	94	18,5
	1"	22	86	38	73	23	94	36,3
	1"1/4	28	100	42	82	28	94	73,5
	1"1/2	35	105	46	100	33	136	105
	2"	45	124	54	115	41	136	158

Materials

Body: CW617N - EN 12165 hot-pressed brass, chrome plated
Sleeve: CW617NN - EN 12165 hot-pressed brass, chrome plated
Stem: CW614N - EN 12164 bar turned brass, with inner and outer anti-friction rings and double sealing O-ring
Ball: CW617N brass, chrome plated
Gaskets: PTFE with low friction profile
Handle: steel lever with plasticized coating
Nut: in DACROMET with guarantee seal and hologram

Field of application

Max. working conditions with dry saturated steam: 185°C at 1,05 MPa (10,5 bar)
 Max. working pressure with non dangerous water and gas: 4,2 MPa (42 bar), from 1/4" to 3/4"
 3,5 MPa (35 bar), from 1" to 2"
 Max. operating pressure (MOP) with gas: 0,5 MPa (5bar)
 Max. operating working pressure with fluid hydrocarbons: 1,2 MPa (12bar)



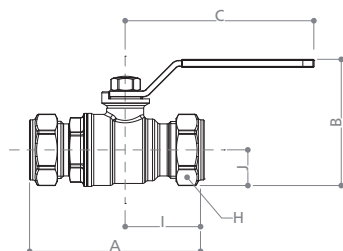
Materials

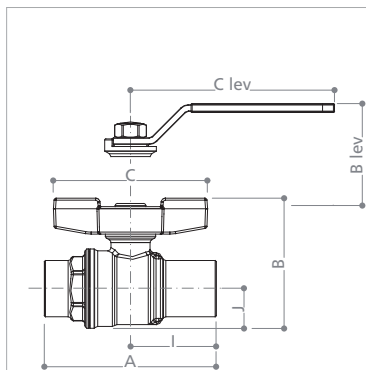
Body: CW617N - EN 12165 hot-pressed brass, chrome plated
Sleeve: CW617N - EN 12165 hot-pressed brass, chrome plated
Cap: CW617N - EN 12165 hot-pressed brass, chrome plated
Ogiva: CW614N - EN 12164 bar turned brass
Stem: CW614N - EN 12164 bar turned brass, with inner and outer anti-friction rings and double sealing O-ring
Ball: CW617N brass, chrome plated
Gaskets: PTFE with low friction profile
Handle: steel lever with plasticized coating
Nut: in DACROMET with guarantee seal and hologram

Field of application

Max. working conditions with dry saturated steam: 185°C at 1,05 MPa (10,5 bar)
 Max. working pressure with non dangerous water and gas: 4,2 MPa (42 bar), for 15 and 22
 3,5 MPa (35 bar), for 28
 Max. operating pressure (MOP) with gas: 0,5 MPa (5bar)
 Max. operating working pressure with fluid hydrocarbons: 1,2 MPa (12bar)

ITEM	SIZE	DN	A	I	B	J	C	H
R258CC	ø15	14	71	32	49	15	77	26
	ø22	18	87	40	64	18	94	35
	ø28	22	97	45	73	23	94	41





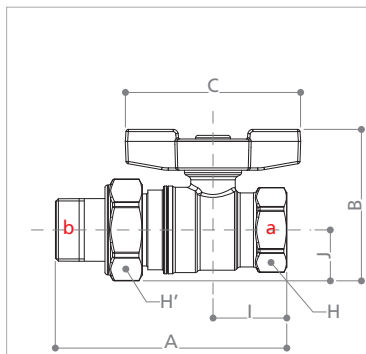
Materials

Body: CW617NN - EN 12165 hot-pressed brass, chrome plated
Sleeve: CW617NN - EN 12165 hot-pressed brass, chrome plated
Stem: CW614N – EN 12164 bar turned brass, with inner and outer anti-friction rings and double sealing O-ring
Ball: CW617N brass, chrome plated
Gaskets: PTFE with low friction profile
Handle: steel lever with plasticized coating
 oppure painted aluminium T-handle
Nut: in DACROMET with guarantee seal and hologram

Field of application

Max. working conditions with dry saturated steam: 185°C at 1,05 MPa (10,5 bar)
 Max. working pressure with non dangerous water and gas: 4,2 MPa (42 bar), from 15 to 22
 3,5 MPa (35 bar), from 28 to 35
 Max. operating pressure (MOP) with gas: 0,5 MPa (5bar)
 Max. operating working pressure with fluid hydrocarbons: 1,2 MPa (12bar)

ITEM	SIZE	DN	A	I	B lev	B	J	C lev	C
R258D	ø15	14	56	28	49	51	15	77	63
	ø18	15	65	32	51	54	16	77	63
	ø22	18	79	40	64	60	18	94	73
	ø28	22	96	48	73	69	23	94	73
	ø35	28	107	53	82	78	28	94	73



Materials

Body: CW617N - EN 12165 hot-pressed brass, chrome plated (except brass-finished R259T)
Sleeve: CW617N - EN 12165 hot-pressed brass, chrome plated (except brass-finished R259T)
Cap: CW617N - EN 12165 hot-pressed brass, chrome plated (except brass-finished R259T)
Pipe union: CW617N - EN 12165 hot-pressed brass, chrome plated (except brass-finished R259T) con guarnizione in PTFE
Stem: CW614N – EN 12164 bar turned brass, with inner and outer anti-friction rings and double sealing O-ring
Ball: CW617N brass, chrome plated
Gaskets: PTFE with low friction profile
Handle: painted aluminium T-handle
Nut: in DACROMET with guarantee seal and hologram

Field of application

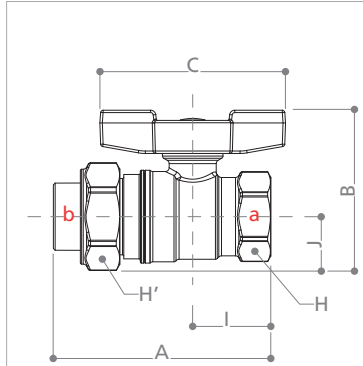
Max. working conditions with dry saturated steam: 185°C at 1,05 MPa (10,5 bar)
 Max. working pressure with water: 4,2 MPa (42 bar), from 1/2" to 3/4"
 3,5 MPa (35 bar), from 1" to 1" 1/4

ITEM	SIZE (axb)	DN	A	I	B	J	C	H	H'
R259D R259W R259DS R259T	1/2" x 1/2"	14	86	27	53	17	63	25	30
	1/2" x 3/4"	14	87	27	57	21	63	25	38
	3/4" x 3/4"	18	96	31	63	21	73	32	38
	3/4" x 1"	18	101	31	67	26	73	32	46
	1" x 1"	22	110	38	72	26	73	39	46
	1" x 1" 1/4	22	114	38	76	30	73	39	53
	1" 1/4 x 1" 1/4	28	125	42	80	30	73	48	53



GENERAL CATALOGUE

ITEM		SIZE (axb)	DN	A	I	B	J	C	H	H'
R259DC		1/2"x15	14	74	27	53	17	63	25	30
		3/4"x22	18	86	31	63	21	73	32	38
		1"x28	22	103	38	72	25	73	39	46



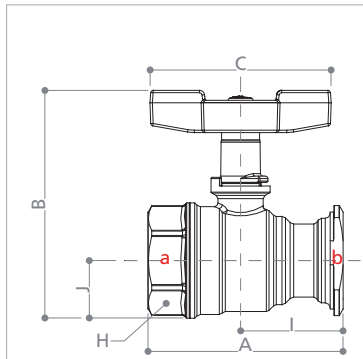
Materials

Body: CW617N - EN 12165 hot-pressed brass, chrome plated
Sleeve: CW617N - EN 12165 hot-pressed brass, chrome plated
Cap: CW617N - EN 12165 hot-pressed brass, chrome plated.
Pipe union: CW617NN - EN 12165 hot-pressed brass, chrome plated
Stem: CW614N - EN 12164 bar turned brass with inner and outer anti-friction rings and double sealing O-ring
Ball: CW617N brass, chrome plated
Gaskets: PTFE with low friction profile
Handle: painted aluminium T-handle
Nut: in DACROMET with guarantee seal and hologram

Field of application

Max. working conditions with dry saturated steam: 185°C at 1,05 MPa (10,5 bar)
 Max. working pressure with water: 4,2 MPa (42 bar), for 1/2" to 3/4"
 3,5 MPa (35 bar), for 1"

ITEM		SIZE (axb)	DN	A	I	B	J	C	H
R285		1"x1" 1/2	22	79	42	92	23	73	39
		1" 1/4x1" 1/2	28	88	46	110	28	73	48
		1" 1/4x2"	28	88	46	110	28	73	48

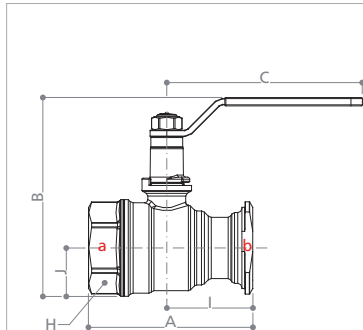


Materials

Body: CW617NN - EN 12165 hot-pressed brass, chrome plated
Sleeve: CW617NN - EN 12165 hot-pressed brass, chrome plated
Stem: CW614N - EN 12164 bar turned brass, with inner and outer anti-friction rings and double sealing O-ring
Ball: CW617N brass, chrome plated
Gaskets: PTFE with low friction profile
Handle: painted aluminium T-handle
Nut: in DACROMET with guarantee seal and hologram

Field of application

Max. working conditions with dry saturated steam: 185°C at 1,05 MPa (10,5 bar)
 Max. working pressure with water: 3,5 MPa (35 bar)



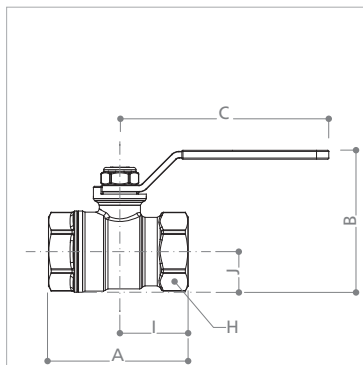
Materials

Body: CW617NN - EN 12165 hot-pressed brass, chrome plated
Sleeve: CW617NN - EN 12165 hot-pressed brass, chrome plated
Stem: CW614N – EN 12164 bar turned brass, with inner and outer anti-friction rings and double sealing O-ring
Ball: CW617N brass, chrome plated
Gaskets: PTFE with low friction profile
Handle: steel lever with plasticized coating
Nut: in DACROMET with guarantee seal and hologram

Field of application

Max. working conditions with dry saturated steam: 185°C at 1,05 MPa (10,5 bar)
 Max. working pressure with water: 3,5 MPa (35 bar)

ITEM	SIZE	DN	A	I	B	J	C	H
R285L	1" x 1 1/2"	22	79	42	95	23	94	39
	1 1/4" x 1 1/2"	28	88	46	113	28	94	48
	1 1/4" x 2"	28	88	46	113	28	94	48



Materials

Body: CW617N - EN 12165 hot-pressed brass, chrome plated
Sleeve: CW617N - EN 12165 hot-pressed brass, chrome plated
Stem: CW614N – EN 12164 bar turned brass, with inner and outer anti-friction rings and double sealing O-ring
Ball: CW617N brass, chrome plated
Gaskets: PTFE with low friction profile
Handle: steel lever with plasticized coating
Nut: in DACROMET with guarantee seal and hologram

Field of application

Max. working conditions with dry saturated steam: 185°C at 1,05 MPa (10,5 bar)
 Max. working pressure with non dangerous water and gas: 3,5 MPa (35 bar), from 1/4" to 3/4"
 2,8 MPa (28 bar), from 1" to 2"
 Max. operating pressure (MOP) with gas: 0,5 MPa (5bar)
 Max. operating working pressure with fluid hydrocarbons: 1,2 MPa (12bar)

ITEM	SIZE	DN	A	I	B	J	C	H
R850	1/4"	8	43	21	37	10	43	17
	3/8"	10	46	23	45	12	77	20
	1/2"	15	53	27	51	16	77	25
	3/4"	20	60	30	67	20	94	31
	1"	25	74	37	76	24	94	38
	1 1/4"	32	84	42	85	29	94	47
	1 1/2"	40	95	47	104	35	136	54
	2"	50	109	54	120	43	136	66



GENERAL CATALOGUE

ITEM	SIZE	DN	A	I	B	J	C	H
R851	1/4"	8	43	21	35	10	40	17
	3/8"	10	46	23	47	12	63	20
	1/2"	15	53	27	54	16	63	25
	3/4"	20	60	30	63	20	73	31
	1"	25	74	37	72	24	73	38
	1 1/4"	32	84	42	82	29	73	47

ITEM	SIZE	DN	A	I	B	J	C	H
R851TH	3/8"	10	46	23	73	12	78	20
	1/2"	15	53	27	80	16	78	25
	3/4"	20	60	30	89	20	78	31
	1"	25	74	37	98	24	78	38
	1 1/4"	32	84	42	108	29	78	47
	1 1/2"	40	95	47	141	35	96	54
	2"	50	109	54	156	43	96	66

Materials

Body: CW617N - EN 12165 hot-pressed brass, chrome plated
Sleeve: CW617N - EN 12165 hot-pressed brass, chrome plated
Stem: CW614N – EN 12164 bar turned brass, with inner and outer anti-friction rings and double sealing O-ring
Ball: CW617N brass, chrome plated
Gaskets: PTFE with low friction profile
Handle: painted aluminium T-handle
Nut: in DACROMET with guarantee seal and hologram

Field of application

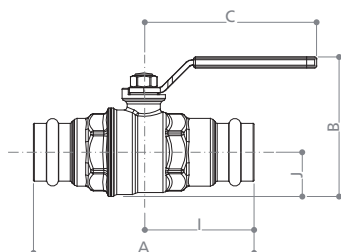
Max. working conditions with dry saturated steam: 185°C at 1,05 MPa (10,5 bar)
 Max. working pressure with non dangerous water and gas: 3,5 MPa (35 bar), from 1/4" to 3/4"
 2,8 MPa (28 bar), from 1" to 1 1/4"
 Max. operating pressure (MOP) with gas: 0,5 MPa (5bar)
 Max. operating working pressure with fluid hydrocarbons: 1,2 MPa (12bar)

Materials

Body: CW617N - EN 12165 hot-pressed brass, chrome plated
Sleeve: CW617N - EN 12165 hot-pressed brass, chrome plated
Stem: CW614N – EN 12164 bar turned brass, with inner and outer anti-friction rings and double sealing O-ring
Ball: CW617N brass, chrome plated
Gaskets: PTFE with low friction profile
Handle: glass-charged polyamide extended T with reinforcing plate on the steel base
Nut: in DACROMET with guarantee seal and hologram

Field of application

Max. working conditions with dry saturated steam: 185°C at 1,05 MPa (10,5 bar)
 Max. working pressure with non dangerous water and gas: 3,5 MPa (35 bar), from 3/8" to 3/4"
 2,8 MPa (28 bar), from 1" to 2"
 Max. operating pressure (MOP) with gas: 0,5 MPa (5bar)
 Max. operating working pressure with fluid hydrocarbons: 1,2 MPa (12bar)



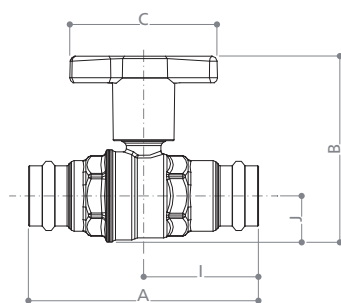
Materials

- Body:** CW617N - EN 12165 hot-pressed brass, with double yellow NBR O-rings according to EN 549 and EN 682 for R850V valves, or with double food-use EPDM black O-ring according to EN 681
- Sleeve:** CW617N - EN 12165 hot-pressed brass, with double yellow NBR O-rings according to EN 549 and EN 682 for R850V valves, or with double food-use EPDM black O-ring according to EN 681-1 for R850VV valves
- Stem:** CW614N - EN 12164 bar turned brass, with inner and outer anti-friction rings and double sealing O-ring
- Ball:** CW617N brass, chrome plated
- Gaskets:** PTFE with low friction profile
- Handle:** steel lever with plasticized coating
- Nut:** in DACROMET with guarantee seal and hologram

Field of application

- Max. working conditions with dry saturated steam: 185°C at 1,05 MPa (10,5 bar)
- Max. working pressure with non dangerous water and gas: 3,5 MPa (35 bar), from 15 to 22
2,8 MPa (28 bar), from 28 to 54
- Max. operating pressure (MOP) with gas: 0,5 MPa (5bar)
- Max. operating working pressure with fluid hydrocarbons: 1,2 MPa (12bar)

ITEM	SIZE	DN	A	I	B	J	C
R850V R850VV	ø15	15	100	50	53	16	77
	ø22	20	116	58	69	20	94
	ø28	25	122	61	77	25	94
	ø35	32	130	65	87	30	94
	ø42	40	148	74	106	36	136
	ø54	50	187	91	121	43	136



Materials

- Body:** CW617N - EN 12165 hot-pressed brass, with double food-use EPDM black O-ring according to EN 681
- Sleeve:** CW617N - EN 12165 hot-pressed brass, with double food-use EPDM black O-ring according to EN 681
- Stem:** CW614N - EN 12164 bar turned brass, with inner and outer anti-friction rings and double sealing O-ring
- Ball:** CW617N brass, chrome plated
- Gaskets:** PTFE with low friction profile
- Handle:** glass-charged polyamide extended T handle with reinforcing plate on the steel base
- Nut:** in DACROMET with guarantee seal and hologram

Field of application

- Max. working conditions with dry saturated steam: 185°C at 1,05 MPa (10,5 bar)
- Max. working pressure with water: 3,5 MPa (35 bar), from 15 to 22
2,8 MPa (28 bar), from 28 to 35

ITEM	SIZE	DN	A	I	B	J	C
R851VT	ø15	15	100	50	80	16	78
	ø22	20	116	58	90	20	78
	ø28	25	122	61	98	25	78
	ø35	32	130	65	108	30	78



GENERAL CATALOGUE

ITEM	SIZE	DN	A	I	B	J	C	H
R910 R910W R910S	1/4"	8	43	21	36	10	42	17
	3/8"	10	49	25	46	13	77	21
	1/2"	15	56	28	52	16	77	25
	3/4"	20	62	31	69	21	95	31
	1"	25	76	38	77	25	95	39
	1 1/4"	32	86	43	87	30	95	47
	1 1/2"	40	97	48	108	37	137	54
	2"	50	111	55	124	46	137	67
	2 1/2"	65	153	76	169	58	187	82
3"	80	173	87	188	68	187	96	
4"	100	217	108	241	88	257	126	

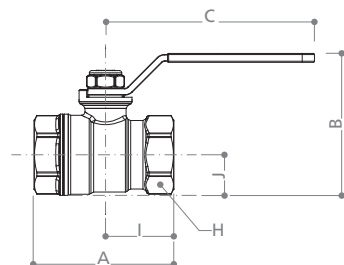
ITEM	SIZE	DN	A	I	B	J	C	H
R911 R911W	3/8"	10	49	25	48	13	63	21
	1/2"	15	56	28	56	16	63	25
	3/4"	20	62	31	64	21	73	31
	1"	25	76	38	72	25	73	39
	1 1/4"	32	86	43	82	30	73	47

Materials

Body: CW617NN - EN 12165 hot-pressed brass, chrome plated, nickel plated
Sleeve: CW617NN - EN 12165 hot-pressed brass, chrome plated, nickel plated
Stem: CW614N – EN 12164 bar turned brass, with inner and outer anti-friction rings and double sealing O-ring
Ball: CW617N brass, chrome plated
Gaskets: PTFE with low friction profile
Handle: steel lever with plasticized coating
Nut: in DACROMET with guarantee seal and hologram

Field of application

Max. working conditions with dry saturated steam: 185°C at 1,05 MPa (10,5 bar)
 Max. working pressure with non dangerous water and gas:
 4,2 MPa (42 bar), from 1/4" to 3/4"
 3,5 MPa (35 bar), from 1" to 2"
 2,8 MPa (28 bar), from 2 1/2" to 4"
 Max. operating pressure (MOP) with gas: 0,5 MPa (5bar)
 Max. operating working pressure with fluid hydrocarbons: 1,2 MPa (12bar)

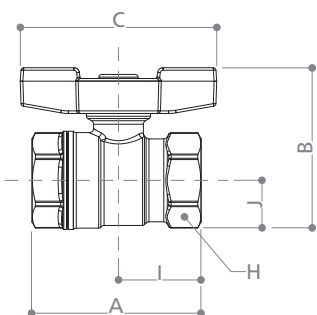


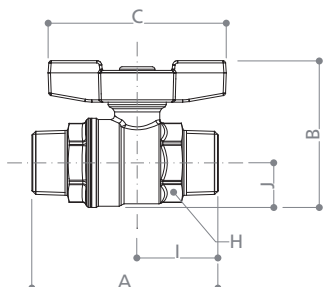
Materials

Body: CW617NN - EN 12165 hot-pressed brass, chrome plated, nickel plated
Sleeve: CW617NN - EN 12165 hot-pressed brass, chrome plated, nickel plated
Stem: CW614N – EN 12164 bar turned brass, with inner and outer anti-friction rings and double sealing O-ring
Ball: CW617N brass, chrome plated
Gaskets: PTFE with low friction profile
Handle: painted aluminium T-handle
Nut: in DACROMET with guarantee seal and hologram

Field of application

Max. working conditions with dry saturated steam: 185°C at 1,05 MPa (10,5 bar)
 Max. working pressure with non dangerous water and gas:
 4,2 MPa (42 bar), from 1/4" to 3/4"
 3,5 MPa (35 bar), from 1" to 1 1/4"
 Max. operating pressure (MOP) with gas: 0,5 MPa (5bar)
 Max. operating working pressure with fluid hydrocarbons: 1,2 MPa (12bar)





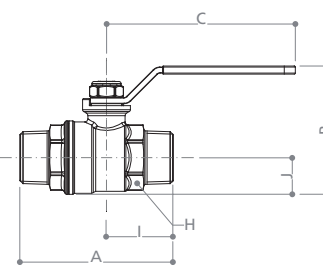
Materials

Body: CW617NN - EN 12165 hot-pressed brass, chrome plated, nickel plated
Sleeve: CW617NN - EN 12165 hot-pressed brass, chrome plated, nickel plated
Stem: CW614N – EN 12164 bar turned brass, with inner and outer anti-friction rings and double sealing O-ring
Ball: CW617N brass, chrome plated
Gaskets: PTFE with low friction profile
Handle: painted aluminium T-handle
Nut: in DACROMET with guarantee seal and hologram

Field of application

Max. working conditions with dry saturated steam: 185°C at 1,05 MPa (10,5 bar)
 Max. working pressure with non dangerous water and gas: 4,2 MPa (42 bar), from 3/8" to 3/4"
 3,5 MPa (35 bar), from 1" to 1" 1/4
 Max. operating pressure (MOP) with gas: 0,5 MPa (5bar)
 Max. operating working pressure with fluid hydrocarbons: 1,2 MPa (12bar)

ITEM	SIZE	DN	A	I	B	J	C	H
R913	3/8"	10	63	25	48	13	63	21
	1/2"	15	73	28	56	16	63	25
	3/4"	20	82	31	64	21	73	31
	1"	25	92	38	72	25	73	39
	1" 1/4	32	108	43	82	30	73	47



Materials

Body: CW617NN - EN 12165 hot-pressed brass, chrome plated, nickel plated
Sleeve: CW617NN - EN 12165 hot-pressed brass, chrome plated, nickel plated
Stem: CW614N – EN 12164 bar turned brass, with inner and outer anti-friction rings and double sealing O-ring
Ball: CW617N brass, chrome plated
Gaskets: PTFE with low friction profile
Handle: steel lever with plasticized coating
Nut: in DACROMET with guarantee seal and hologram

Field of application

Max. working conditions with dry saturated steam: 185°C at 1,05 MPa (10,5 bar)
 Max. working pressure with non dangerous water and gas: 4,2 MPa (42 bar), from 3/8" to 3/4"
 3,5 MPa (35 bar), from 1" to 1" 1/4
 Max. operating pressure (MOP) with gas: 0,5 MPa (5bar)
 Max. operating working pressure with fluid hydrocarbons: 1,2 MPa (12bar)

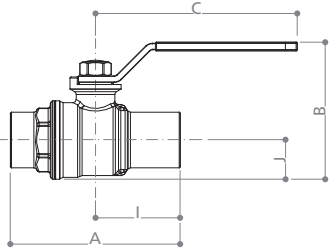
ITEM	SIZE	DN	A	I	B	J	C	H
R913L	3/8"	10	63	25	46	13	77	21
	1/2"	15	73	28	52	16	77	25
	3/4"	20	82	31	69	21	95	31
	1"	25	92	38	77	25	95	39
	1" 1/4	32	108	43	87	30	95	47

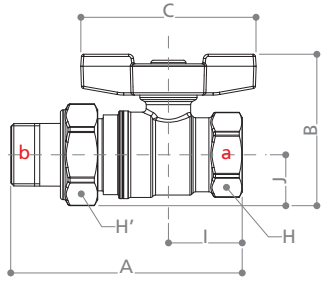


GENERAL CATALOGUE

ITEM		SIZE	DN	A	I	B	J	C	H
R914	1/4"	8	51	21	-	10	-	17	
	3/8"	10	59	25	48	13	63	21	
	1/2"	15	67	28	56	16	63	25	
	3/4"	20	76	31	64	21	73	31	
	1"	25	87	38	72	25	73	39	
	1 1/4"	32	101	43	82	30	73	47	

ITEM		SIZE	DN	A	I	B	J	C	H
R914L	1/4"	8	51	21	36	10	42	17	
	3/8"	10	59	25	46	13	77	21	
	1/2"	15	67	28	52	16	77	25	
	3/4"	20	76	31	69	21	95	31	
	1"	25	87	38	77	25	95	39	
	1 1/4"	32	101	43	87	30	95	47	
	1 1/2"	40	105	48	108	37	137	54	
	2"	50	124	55	124	46	137	67	

	Materials						
	Body: CW617NN - EN 12165 hot-pressed brass, chrome plated, Sleeve: CW617NN - EN 12165 hot-pressed brass, chrome plated Stem: CW614N – EN 12164 bar turned brass, with inner and outer anti-friction rings and double sealing O-ring Ball: CW617N brass, chrome plated Gaskets: PTFE with low friction profile Handle: steel lever with plasticized coating. Nut: in DACROMET with guarantee seal and hologram						
Field of application							
Max. working conditions with dry saturated steam:							185°C at 1,05 MPa (10,5 bar)
Max. working pressure with non dangerous water and gas:							4,2 MPa (42 bar), from 15 to 22 3,5 MPa (35 bar), from 28 to 35
Max. operating pressure (MOP) with gas:							0,5 MPa (5bar)
Max. operating working pressure with fluid hydrocarbons:							1,2 MPa (12bar)
ITEM	SIZE	DN	A	I	B	J	C
R918	15	15	58	29	53	16	77
	22	20	80	40	69	21	77
	28	25	97	49	77	25	95
	35	32	109	55	87	30	95

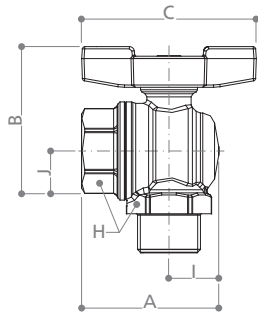
	Materials								
	Body: CW617NN - EN 12165 hot-pressed brass, chrome plated, nickel plated Sleeve: CW617NN - EN 12165 hot-pressed brass, chrome plated, nickel plated Cap: CW617NN - EN 12165 hot-pressed brass, chrome plated, nickel plated Pipe union: CW617N - EN 12165 hot-pressed brass, nickel plated with PTFE gaskets. Stem: CW614N – EN 12164 bar turned brass, with inner and outer anti-friction rings and double sealing O-ring Ball: CW617N brass, chrome plated Gaskets: PTFE with low friction profile. Handle: painted aluminium T-handle. Nut: in DACROMET with guarantee seal and hologram								
Field of application									
Max. working conditions with dry saturated steam:									185°C at 1,05 MPa (10,5 bar)
Max. working pressure with water:									4,2 MPa (42 bar), from 1/4" to 3/4" 3,5 MPa (35 bar), from 1" to 1 1/4"
ITEM	SIZE (axb)	DN	A	I	B	J	C	H	H'
R919 R919S	1/2" x 1/2"	15	87	28	55	17	63	25	30
	1/2" x 3/4"	15	90	28	59	21	63	25	38
	3/4" x 3/4"	20	97	31	65	21	73	31	38
	3/4" x 1"	20	101	31	67	23	73	31	46
	1" x 1"	25	109	38	72	25	73	39	46
	1" x 1 1/4"	25	115	38	77	30	73	39	53
	1" 1/4 x 1 1/4"	32	123	43	82	30	73	47	53



GENERAL CATALOGUE

ITEM	SIZE	DN	A	I	B	J	C	H
R950	1/4"	8	43	21	36	10	42	17
	3/8"	10	49	25	47	13	77	21
	1/2"	15	60	30	53	16	77	26
	3/4"	20	68	34	69	21	95	32
	1"	25	81	41	77	25	95	41
	1"1/4	32	95	48	87	30	95	50
	1"1/2	40	104	52	107	36	137	55
	2"	50	126	63	122	44	137	70

ITEM	SIZE	DN	A	I	B	J	C	H
R951	1/4"	8	43	21	35	10	42	17
	3/8"	10	49	25	48	13	63	21
	1/2"	15	60	30	54	16	63	26
	3/4"	20	68	34	64	21	73	32
	1"	25	81	41	72	25	73	41
	1"1/4	32	95	48	82	30	73	50



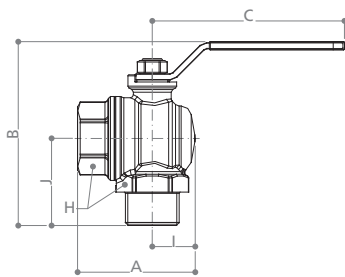
Materials

Body: CW617N - EN 12165 hot-pressed brass, chrome plated
 Sleeve: CW617N - EN 12165 hot-pressed brass, chrome plated
 Stem: CW614N – EN 12164 bar turned brass, with inner and outer anti-friction rings and double sealing O-ring
 Ball: CW617N brass, chrome plated
 Gaskets: PTFE with low friction profile
 Handle: painted aluminium T-handle
 Nut: in DACROMET with guarantee seal and hologram

Field of application

Max. working conditions with dry saturated steam: 185°C at 1,05 MPa (10,5 bar)
 Max. working pressure with non dangerous water and gas: 4,2 MPa (42 bar), for 1/2" and 3/4"
 3,5 MPa (35 bar), from 1"
 Max. operating pressure (MOP) with gas: 0,5 MPa (5bar)
 Max. operating working pressure with fluid hydrocarbons: 1,2 MPa (12bar)

ITEM	SIZE	DN	A	I	B	J	C	H
R780	1/2"	15	50	18	78	40	63	26
	3/4"	20	58	21	86	43	73	32
	1"	25	69	25	97	50	73	41



Materials

Body: CW617N - EN 12165 hot-pressed brass, chrome plated
 Sleeve: CW617N - EN 12165 hot-pressed brass, chrome plated
 Stem: CW614N – EN 12164 bar turned brass, with inner and outer anti-friction rings and double sealing O-ring
 Ball: CW617N brass, chrome plated
 Gaskets: PTFE with low friction profile
 Handle: steel lever with plasticized coating
 Nut: in DACROMET with guarantee seal and hologram

Field of application

Max. working conditions with dry saturated steam: 185°C at 1,05 MPa (10,5 bar)
 Max. working pressure with non dangerous water and gas: 4,2 MPa (42 bar), for 1/2" and 3/4"
 3,5 MPa (35 bar), for 1"
 Max. operating pressure (MOP) with gas: 0,5 MPa (5bar)
 Max. operating working pressure with fluid hydrocarbons: 1,2 MPa (12bar)

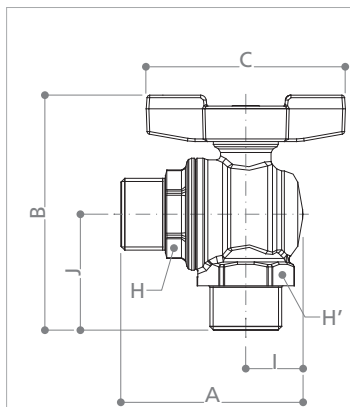
ITEM	SIZE	DN	A	I	B	J	C	H
R780L	1/2"	15	50	18	76	40	77	26
	3/4"	20	58	21	90	43	94	32
	1"	25	69	25	101	50	94	41



GENERAL CATALOGUE

	Materials								
	Body: CW617N - EN 12165 hot-pressed brass, chrome plated Sleeve: CW617N - EN 12165 hot-pressed brass, chrome plated Stem: CW614N – EN 12164 bar turned brass, with inner and outer anti-friction rings and double sealing O-ring Ball: CW617N brass, chrome plated Gaskets: PTFE with low friction profile Handle: painted aluminium T-handle Nut: in DACROMET with guarantee seal and hologram								
	Field of application								
	Max. working conditions with dry saturated steam: 185°C at 1,05 MPa (10,5 bar) Max. working pressure with non dangerous water and gas: 4,2 MPa (42 bar), for 1/2" and 3/4" 3,5 MPa (35 bar), from 1" Max. operating pressure (MOP) with gas: 0,5 MPa (5bar) Max. operating working pressure with fluid hydrocarbons: 1,2 MPa (12bar)								
ITEM	SIZE	DN	A	I	B	J	C	H	H'
R781	1/2"	15	58	18	71	33	63	22	26
	3/4"	20	67	21	82	39	73	29	32
	1"	25	79	25	94	46	73	36	41

	Materials								
	Body: CW617N - EN 12165 hot-pressed brass, chrome plated Sleeve: CW617N - EN 12165 hot-pressed brass, chrome plated Stem: CW614N – EN 12164 bar turned brass, with inner and outer anti-friction rings and double sealing O-ring Ball: CW617N brass, chrome plated Gaskets: PTFE with low friction profile Handle: steel lever with plasticized coating Nut: in DACROMET with guarantee seal and hologram								
	Field of application								
	Max. working conditions with dry saturated steam: 185°C at 1,05 MPa (10,5 bar) Max. working pressure with non dangerous water and gas: 4,2 MPa (42 bar), for 1/2" and 3/4" 3,5 MPa (35 bar), for 1" Max. operating pressure (MOP) with gas: 0,5 MPa (5bar) Max. operating working pressure with fluid hydrocarbons: 1,2 MPa (12bar)								
ITEM	SIZE	DN	A	I	B	J	C	H	H'
R781L	1/2"	15	58	18	69	33	77	22	26
	3/4"	20	67	21	86	39	94	29	32
	1"	25	79	25	98	46	94	36	41



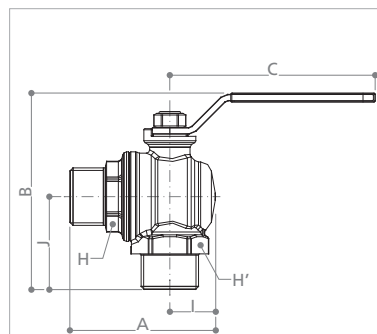
Materials

Body: CW617N - EN 12165 hot-pressed brass, chrome plated
Sleeve: CW617N - EN 12165 hot-pressed brass, chrome plated
Stem: CW614N - EN 12164 bar turned brass, with inner and outer anti-friction rings and double sealing O-ring
Ball: CW617N brass, chrome plated
Gaskets: PTFE with low friction profile
Handle: painted aluminium T-handle
Nut: in DACROMET with guarantee seal and hologram

Field of application

Max. working conditions with dry saturated steam: 185°C at 1,05 MPa (10,5 bar)
Max. working pressure with non dangerous water and gas: 4,2 MPa (42 bar), for 1/2" and 3/4"
 3,5 MPa (35 bar), for 1"
Max. operating pressure (MOP) with gas: 0,5 MPa (5bar)
Max. operating working pressure with fluid hydrocarbons: 1,2 MPa (12bar)

ITEM	SIZE	DN	A	I	B	J	C	H	H'
R782	1/2"	15	58	18	78	40	63	22	26
	3/4"	20	67	21	86	43	73	29	32
	1"	25	79	25	97	50	73	36	41



Materials

Body: CW617 - EN 12165 hot-pressed brass, chrome-plated
Sleeve: CW617 - EN 12165 hot-pressed brass, chrome-plated
Stem: CW614 - EN 12164 bar turned brass, with inner and outer anti-friction rings and double sealing O-ring
Ball: CW617 brass, chrome-plated
Gaskets: PTFE with low friction profile
Handle: steel lever with plasticized coating
Nut: in DACROMET with guarantee seal and hologram

Field of application

Max. working conditions with dry saturated steam: 185°C at 1,05 MPa (10,5 bar)
Max. working pressure with non dangerous water and gas: 4,2 MPa (42 bar), for 1/2" and 3/4"
 3,5 MPa (35 bar), for 1"
Max. operating pressure (MOP) with gas: 0,5 MPa (5bar)
Max. operating working pressure with fluid hydrocarbons: 1,2 MPa (12bar)

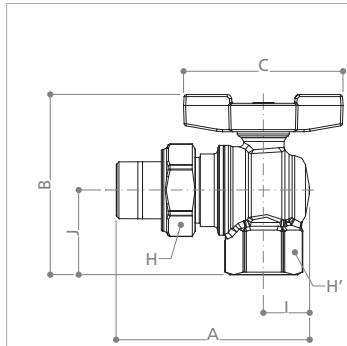
ITEM	SIZE	DN	A	I	B	J	C	H	H'
R782L	1/2"	15	58	18	76	40	77	22	26
	3/4"	20	67	21	90	43	94	29	32
	1"	25	79	25	101	50	94	36	41



GENERAL CATALOGUE

	Materials								
	<p>Body: CW617N - EN 12165 hot-pressed brass, chrome plated Sleeve: CW617N - EN 12165 hot-pressed brass, chrome plated Stem: CW614N – EN 12164 bar turned brass, with inner and outer anti-friction rings and double sealing O-ring Ball: CW617N brass, chrome plated Gaskets: PTFE with low friction profile Handle: painted aluminium T-handle Nut: in DACROMET with guarantee seal and hologram</p>								
Field of application									
Max. working conditions with dry saturated steam:						185°C at 1,05 MPa (10,5 bar)			
Max. working pressure with non dangerous water and gas:						4,2 MPa (42 bar), for 1/2" and 3/4" 3,5 MPa (35 bar), from 1"			
Max. operating pressure (MOP) with gas:						0,5 MPa (5bar)			
Max. operating working pressure with fluid hydrocarbons:						1,2 MPa (12bar)			
ITEM	SIZE	DN	A	I	B	J	C	H	
R783	1/2"	15	50	18	71	33	63	26	
	3/4"	20	58	21	82	39	73	32	
	1"	25	69	25	94	46	73	41	

	Materials								
	<p>Body: CW617N - EN 12165 hot-pressed brass, chrome plated Sleeve: CW617N - EN 12165 hot-pressed brass, chrome plated Stem: CW614N – EN 12164 bar turned brass, with inner and outer anti-friction rings and double sealing O-ring Ball: CW617N brass, chrome plated Gaskets: PTFE with low friction profile Handle: steel lever with plasticized coating Nut: in DACROMET with guarantee seal and hologram</p>								
Field of application									
Max. working conditions with dry saturated steam:						185°C at 1,05 MPa (10,5 bar)			
Max. working pressure with non dangerous water and gas:						4,2 MPa (42 bar), for 1/2" and 3/4" 3,5 MPa (35 bar), for 1"			
Max. operating pressure (MOP) with gas:						0,5 MPa (5bar)			
Max. operating working pressure with fluid hydrocarbons:						1,2 MPa (12bar)			
ITEM	SIZE	DN	A	I	B	J	C	H	
R783L	1/2"	15	50	18	69	33	77	26	
	3/4"	20	58	21	86	39	94	32	
	1"	25	69	25	98	46	94	41	



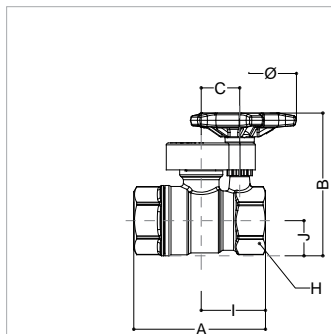
Materials

Body: CW617N - EN 12165 hot-pressed brass, chrome plated
Sleeve: CW617N - EN 12165 hot-pressed brass, chrome plated
Cap: CW617N - EN 12165 hot-pressed brass, chrome plated
Pipe union: CW617N - EN 12165 hot-pressed brass, chrome plated with PTFE gaskets
Stem: CW614N – EN 12164 bar turned brass, with inner and outer anti-friction rings and double sealing O-ring
Ball: CW617N brass, chrome plated
Gaskets: PTFE with low friction profile
Handle: painted aluminium T-handle
Nut: in DACROMET with guarantee seal and hologram

Field of application

Max. working conditions with dry saturated steam: 185°C at 1,05 MPa (10,5 bar)
 Max. working pressure with water: 4,2 MPa (42 bar), for 1/2" and 3/4"
 3,5 MPa (35 bar), from 1"

ITEM	SIZE	DN	A	I	B	J	C	H	H'
R789	1/2"	15	79	18	71	33	63	30	26
	3/4"	20	89	21	82	39	73	38	32
	1"	25	100	25	94	46	73	46	41



Materials

Body: CW617N - EN 12165 hot-pressed brass, chrome plated
Sleeve: CW617N - EN 12165 hot-pressed brass, chrome plated
Stem: CW614N – EN 12164 bar turned brass, with inner and outer anti-friction rings and double sealing O-ring
Ball: CW617N brass, chrome plated
Gaskets: PTFE with low friction profile
Handle: mechanism with slow-down operation with painted aluminium handwheel
Nut: in DACROMET with guarantee seal and hologram

Field of application

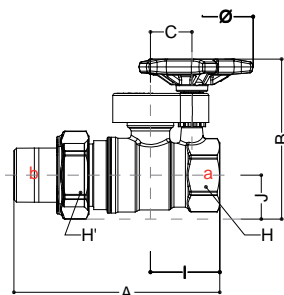
Max. working conditions with dry saturated steam: 185°C at 1,05 MPa (10,5 bar)
 Max. working pressure with water: 4,2 MPa (42 bar), for 1/2" and 3/4"

ITEM	SIZE	DN	A	I	B	J	C	Ø	H
R281	3/4"	18	69	34	74	18	20	58	32



GENERAL CATALOGUE

ITEM		SIZE	DN	A	I	B	J	C	H
R289 R289S		1/2"	15	50	32	71	33	63	26
		3/4"	20	58	37	82	39	73	32
		1"	25	69	44	94	46	73	41



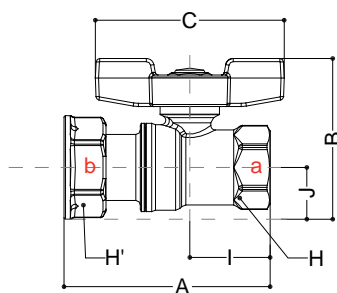
Materials

Body: CW617N - EN 12165 hot-pressed brass, chrome plated
Sleeve: CW617N - EN 12165 hot-pressed brass, chrome plated
Cap: CW614N - EN 12164 hot-pressed brass, chrome plated
Pipe union: CW614N - EN 12164 hot-pressed brass, chrome plated
Stem: CW614N - EN 12164 bar turned brass, with inner and outer anti-friction rings and double sealing O-ring
Ball: CW617N brass, chrome plated
Gaskets: PTFE with low friction profile
Handle: mechanism with slow-down operation with painted aluminium handwheel
Nut: in DACROMET with guarantee seal and hologram

Field of application

Max. working conditions with dry saturated steam: 185°C at 1,05 MPa (10,5 bar)
 Max. working pressure with water: 4,2 MPa (42 bar), for 1/2" and 3/4"

ITEM		SIZE	DN	A	I	B	J	C	H	H'
R251P R251WP		1/2" x 3/4"	14	69	27	54	18	63	25	30
		3/4" x 3/4"	14	70	28	54	18	63	32	30
		3/4" x 1"	18	85	31	63	21	73	32	37
		1" x 1"	22	95	38	70	23	73	40	37

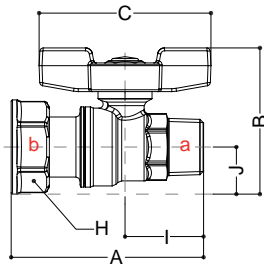


Materials

Body: CW617NN - EN 12165 hot-pressed brass, chrome plated
Sleeve: CW617NN - EN 12165 hot-pressed brass, chrome plated
Cap: CW617N - EN 12165 hot-pressed brass with stainless steel elastic ring and vegetal fibre gasket
Stem: CW614N - EN 12164 bar turned brass, with inner and outer anti-friction rings and double sealing O-ring
Ball: CW617N brass, chrome plated
Gaskets: PTFE with low friction profile
Handle: painted aluminium T-handle
Nut: in DACROMET with guarantee seal and hologram

Field of application

Max. working conditions with dry saturated steam: 185°C at 1,05 MPa (10,5 bar)
 Max. working pressure with water: 4,2 MPa (42 bar), from 1/2" and 3/4"
 3,5 MPa (35 bar), for 1"



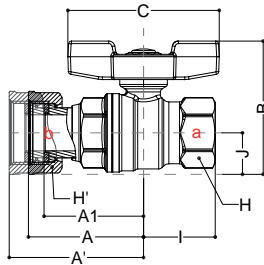
Materials

Body: CW617NN - EN 12165 hot-pressed brass, chrome plated
Sleeve: CW617NN - EN 12165 hot-pressed brass, chrome plated
Cap: CW617N - EN 12165 hot-pressed brass with stainless steel elastic ring and vegetal fibre gasket
Stem: CW614N – EN 12164 bar turned brass, with inner and outer anti-friction rings and double sealing O-ring
Ball: CW617N brass, chrome plated
Gaskets: PTFE with low friction profile
Handle: painted aluminium T-handle
Nut: in DACROMET with guarantee seal and hologram

Field of application

Max. working conditions with dry saturated steam: 185°C at 1,05 MPa (10,5 bar)
 Max. working pressure with water: 4,2 MPa (42 bar), for 1/2" and 3/4"

ITEM	SIZE	DN	A	I	B	J	C	H
R254P	1/2" x 3/4"	14	71	29	54	18	63	30
	3/4" x 3/4"	14	76	34	54	18	63	30



Materials

Body: CW617N - EN 12165 hot-pressed brass, chrome plated
Sleeve: CW617N - EN 12165 hot-pressed brass, chrome plated
Cap: CW617N - EN 12165 hot-pressed brass, chrome plated with stainless steel elastic ring and vegetal fibre gasket
Stem: CW614N – EN 12164 bar turned brass, with inner and outer anti-friction rings and double sealing O-ring
Ball: CW617N brass, chrome plated
Gaskets: PTFE with low friction profile
Handle: painted aluminium T-handle
Nut: in DACROMET with guarantee seal and hologram

Field of application

Max. working conditions with dry saturated steam: 185°C at 1,05 MPa (10,5 bar)
 Max. working pressure with water: 4,2 MPa (42 bar), for 1/2" and 3/4"

ITEM	SIZE	DN	A	I	B	J	C	H	H'
R752	1/2"	15	79	62	71	33	63	30	26
	3/4"	20	89	68	82	39	73	38	32
	1"	25	100	76	94	46	73	46	41



GENERAL CATALOGUE

► HEAD LOSSES

The head loss of a ball valve, depends on the geometry of internal passages, so it is crucial to establish it with experimental measurements. Experimental values of K_v are useful to determine analytically the importance of the head loss.

	mm H ₂ O	millibar (mbar)	bar	Pa (N/m ²)	KPa
1 mm H ₂ O	1	9,81x10 ⁻²	9,81x10 ⁻⁵	9,81	9,81x10 ⁻³
1 millibar (mbar)	0,102x10 ²	1	10 ³	100	0,1
1 bar	0,102x10 ⁵	10 ³	1	10 ⁵	10 ²
1 Pa (N/m ²)	0,102	10 ⁻²	10 ⁻⁵	1	10 ⁻³
1KPa	102	10	10 ⁻²	1000	1

For fluids like water the K_v factor (specific feature of each adjustment element) can be used with the following expression:

$$\Delta p = \left(\frac{Q}{K_v} \right)^2 (*)$$

where: Δp = head loss expressed in [bar]

Q = water flow expressed in [m³/h]

K_v = specific feature of each adjustment element

To express head losses in w.c. mm and flow rates in l/h the expression (*) will change as follows:

$$\Delta p = \left(\frac{Q}{K_v} \right)^2 \cdot \left(\frac{1}{100} \right)$$

dove: Δp = head loss expressed in [mm H₂O]

Q = water flow expressed in [l/h]

K_v = specific feature of each adjustment element



R250D

PART NUMBER	SIZE	Kv
R250X001	1/4"	6,6
R250X002	3/8"	6,7
R250X003	1/2"	10,2
R250X004	3/4"	18,5
R250X005	1"	36,3
R250X006	1" 1/4	73,5
R250X007	1" 1/2	105
R250X008	2"	158
R250X009	2" 1/2	240
R250X010	3"	269
R250X011	4"	461
R250X021	1/4"	6,6
R250X022	3/8"	6,7
R250X023	1/2"	10,2
R250X024	3/4"	18,5
R250X025	1"	36,3
R250X026	1" 1/4	73,5
R250X027	1" 1/2	105
R250X028	2"	158
R250X029	2" 1/2	240
R250X030	3"	269
R250X031	4"	461



R251D

PART NUMBER	SIZE	Kv
R251X001	1/4"	6,6
R251X002	3/8"	6,7
R251X003	1/2"	10,2
R251X004	3/4"	18,5
R251X005	1"	36,3
R251X006	1" 1/4	73,5
R251X021	1/4"	6,6
R251X022	3/8"	6,7
R251X023	1/2"	10,2
R251X024	3/4"	18,5
R251X025	1"	36,3
R251X026	1" 1/4	73,5



R251W

PART NUMBER	SIZE	Kv
R251WX002	3/8"	6,7
R251WX003	1/2"	10,2
R251WX004	3/4"	18,5
R251WX005	1"	36,3
R251WX006	1" 1/4	73,5



R250W

PART NUMBER	SIZE	Kv
R250WX002	3/8"	6,7
R250WX003	1/2"	10,2
R250WX004	3/4"	18,5
R250WX005	1"	36,3
R250WX006	1" 1/4	73,5
R250WX007	1" 1/2	105
R250WX008	2"	158



R251S

PART NUMBER	SIZE	Kv
R251SX003	1/2"	10,2
R251SX004	3/4"	18,5
R251SX005	1"	36,3



R251T

PART NUMBER	SIZE	Kv
R251TX004	3/4"	18,5
R251TX005	1"	36,3
R251TY004	3/4"	18,5
R251TY005	1"	36,3



R250DS

PART NUMBER	SIZE	Kv
R250SX003	1/2"	10,2
R250SX004	3/4"	18,5
R250SX005	1"	36,3
R250SX006	1" 1/4	73,5
R250SX007	1" 1/2	105
R250SX008	2"	158



R251TH

PART NUMBER	SIZE	Kv
R251X052	3/8"	6,7
R251X053	1/2"	10,2
R251X054	3/4"	18,5
R251X055	1"	36,3
R251X056	1" 1/4	73,5
R251X057	1" 1/2	105
R251X058	2"	158



GENERAL CATALOGUE

R253D



PART NUMBER	SIZE	Kv
R253X002	3/8"	6,7
R253X003	1/2"	10,2
R253X004	3/4"	18,5
R253X005	1"	36,3
R253X006	1" 1/4	73,5
R253X022	3/8"	6,7
R253X023	1/2"	10,2
R253X024	3/4"	18,5
R253X025	1"	36,3
R253X026	1" 1/4	73,5

R254D



PART NUMBER	SIZE	Kv
R254X001	1/4"	6,6
R254X002	3/8"	6,7
R254X003	1/2"	10,2
R254X004	3/4"	18,5
R254X005	1"	36,3
R254X006	1" 1/4	73,5
R254X021	1/4"	6,6
R254X022	3/8"	6,7
R254X023	1/2"	10,2
R254X024	3/4"	18,5
R254X025	1"	36,3
R254X026	1" 1/4	73,5

R253W



PART NUMBER	SIZE	Kv
R253WX002	3/8"	6,7
R253WX003	1/2"	10,2
R253WX004	3/4"	18,5
R253WX005	1"	36,3
R253WX006	1" 1/4	73,5

R254W



PART NUMBER	SIZE	Kv
R254WX002	3/8"	6,7
R254WX003	1/2"	10,2
R254WX004	3/4"	18,5
R254WX005	1"	36,3
R254WX006	1" 1/4	73,5

R253DL



PART NUMBER	SIZE	Kv
R253LX002	3/8"	6,7
R253LX003	1/2"	10,2
R253LX004	3/4"	18,5
R253LX005	1"	36,3
R253LX006	1" 1/4	73,5
R253LX022	3/8"	6,7
R253LX023	1/2"	10,2
R253LX024	3/4"	18,5
R253LX025	1"	36,3
R253LX026	1" 1/4	73,5

R254DL



PART NUMBER	SIZE	Kv
R254LX001	1/4"	6,6
R254LX002	3/8"	6,7
R254LX003	1/2"	10,2
R254LX004	3/4"	18,5
R254LX005	1"	36,3
R254LX006	1" 1/4	73,5
R254LX007	1" 1/2	105
R254LX008	2"	158
R254LX021	1/4"	6,6
R254LX022	3/8"	6,7
R254LX023	1/2"	10,2
R254LX024	3/4"	18,5
R254LX025	1"	36,3
R254LX026	1" 1/4	73,5
R254LX027	1" 1/2	105
R254LX028	2"	158

R253WL



PART NUMBER	SIZE	Kv
R253WX032	3/8"	6,7
R253WX033	1/2"	10,2
R253WX034	3/4"	18,5
R253WX035	1"	36,3
R253WX036	1" 1/4	73,5



R254WL

PART NUMBER	SIZE	Kv
R254WX032	3/8"	6,7
R254WX033	1/2"	10,2
R254WX034	3/4"	18,5
R254WX035	1"	36,3
R254WX036	1" 1/4	73,5



R259W

PART NUMBER	SIZE	Kv
R259WX003	1/2" x 1/2"	10,2
R259WX004	1/2" x 3/4"	10,2
R259WX005	3/4" x 3/4"	18,5
R259WX006	3/4" x 1"	18,5
R259WX007	1" x 1"	36,3
R259WX008	1" x 1" 1/4	36,3
R259WX009	1" 1/4 x 1" 1/4	73,5



R258CC

PART NUMBER	SIZE	Kv
R258CX002	ø15	10,2
R258CX005	ø22	18,5
R258CX006	ø28	36,3



R259DC

PART NUMBER	SIZE	Kv
R259CX003	1/2" x 15	10,2
R259CX005	3/4" x 22	18,5
R259CX007	1" x 28	55,0



R258D

PART NUMBER	SIZE	Kv
R258Y012	ø15	10,2
R258Y014	ø18	12,7
R258Y015	ø22	18,5
R258Y016	ø28	36,3
R258Y017	ø35	73,5
R258Y002	ø15	10,2
R258Y004	ø18	12,7
R258Y005	ø22	18,5
R258Y006	ø28	36,3
R258Y007	ø35	73,5



R259DS

PART NUMBER	SIZE	Kv
R259SX003	1/2" x 1/2"	10,2
R259SX004	1/2" x 3/4"	10,2
R259SX005	3/4" x 3/4"	18,5
R259SX006	3/4" x 1"	18,5
R259SX007	1" x 1"	36,3
R259SX008	1" x 1" 1/4	36,3
R259SX009	1" 1/4 x 1" 1/4	73,5



R259D

PART NUMBER	SIZE	Kv
R259X003	1/2" x 1/2"	10,2
R259X004	1/2" x 3/4"	10,2
R259X005	3/4" x 3/4"	18,5
R259X006	3/4" x 1"	18,5
R259X007	1" x 1"	36,3
R259X008	1" x 1" 1/4	36,3
R259X009	1" 1/4 x 1" 1/4	73,5
R259Y003	1/2" x 1/2"	10,2
R259Y005	3/4" x 3/4"	18,5
R259Y006	3/4" x 1"	18,5
R259Y007	1" x 1"	36,3
R259Y008	1" x 1" 1/4	36,3
R259Y009	1" 1/4 x 1" 1/4	73,5



R259T

PART NUMBER	SIZE	Kv
R259TY005	3/4" x 3/4"	18,5
R259TY006	3/4" x 1"	18,5
R259TY007	1" x 1"	36,3



R285

PART NUMBER	SIZE	Kv
R285Y001	1" x 1" 1/2	36,3
R285Y002	1" 1/4 x 1" 1/2	73,5
R285Y003	1" 1/4 x 2"	73,5



GENERAL CATALOGUE



R285L

PART NUMBER	SIZE	Kv
R285LY001	1" x 1 1/2"	36,3
R285LY002	1" 1/4 x 1 1/2"	73,5
R285LY003	1" 1/4 x 2"	73,5



R851TH

PART NUMBER	SIZE	Kv
R851TX002	3/8"	6,7
R851TX003	1/2"	12,7
R851TX004	3/4"	24,6
R851TX005	1"	48,5
R851TX006	1" 1/4"	98,0
R851TX007	1" 1/2"	140
R851TX008	2"	211



R850

PART NUMBER	SIZE	Kv
R850X021	1/4"	6,6
R850X022	3/8"	6,7
R850X023	1/2"	12,7
R850X024	3/4"	24,6
R850X025	1"	48,5
R850X026	1" 1/4"	98,0
R850X027	1" 1/2"	140
R850X028	2"	211
R850X001	1/4"	6,6
R850X002	3/8"	6,7
R850X003	1/2"	12,7
R850X004	3/4"	24,6
R850X005	1"	48,5
R850X006	1" 1/4"	98,0
R850X007	1" 1/2"	140
R850X008	2"	211



R850V

PART NUMBER	SIZE	Kv
R850VY103	ø15	12,7
R850VY104	ø22	24,6
R850VY105	ø28	48,5
R850VY106*	ø35	98,0
R850VY107*	ø42	140
R850VY108*	ø54	211



R850VW

PART NUMBER	SIZE	Kv
R850VY137	ø42	140
R850VY138	ø54	211



R851

PART NUMBER	SIZE	Kv
R851X021	1/4"	6,6
R851X022	3/8"	6,7
R851X023	1/2"	12,7
R851X024	3/4"	24,6
R851X025	1"	48,5
R851X026	1" 1/4"	98,0
R851X001	1/4"	6,6
R851X002	3/8"	6,7
R851X003	1/2"	12,7
R851X004	3/4"	24,6
R851X005	1"	48,5
R851X006	1" 1/4"	98,0



R851VT

PART NUMBER	SIZE	Kv
R851VY103	ø15	12,7
R851VY104	ø22	24,6
R851VY105	ø28	48,5
R851VY106	ø35	98,0



R910

PART NUMBER	SIZE	Kv
R910X022	3/8"	7,0
R910X023	1/2"	13,3
R910X024	3/4"	25,8
R910X025	1"	50,9
R910X026	1"1/4	103
R910X027	1"1/2	147
R910X028	2"	222
R910X029	2"1/2	336
R910X030	3"	377
R910X031	4"	645
R910X002	3/8"	7,0
R910X003	1/2"	13,3
R910X004	3/4"	25,8
R910X005	1"	50,9
R910X006	1"1/4	103
R910X007	1"1/2	147
R910X008	2"	222
R910X009	2"1/2	336
R910X010	3"	377
R910X011	4"	645



R911

PART NUMBER	SIZE	Kv
R911X022	3/8"	7,0
R911X023	1/2"	13,3
R911X024	3/4"	25,8
R911X025	1"	50,9
R911X026	1"1/4	103
R911X002	3/8"	7,0
R911X003	1/2"	13,3
R911X004	3/4"	25,8
R911X005	1"	50,9
R911X006	1"1/4	103



R911W

PART NUMBER	SIZE	Kv
R911WX002	3/8"	7,0
R911WX003	1/2"	13,3
R911WX004	3/4"	25,8
R911WX005	1"	50,9
R911WX006	1"1/4	103



R910W

PART NUMBER	SIZE	Kv
R910WX002	3/8"	7,0
R910WX003	1/2"	13,3
R910WX004	3/4"	25,8
R910WX005	1"	50,9
R910WX006	1"1/4	103
R910WX007	1"1/2	147
R910WX008	2"	222



R913

PART NUMBER	SIZE	Kv
R913X022	3/8"	7,0
R913X023	1/2"	13,3
R913X024	3/4"	25,8
R913X025	1"	50,9
R913X026	1"1/4	103



R910S

PART NUMBER	SIZE	Kv
R910SX003	1/2"	13,3
R910SX004	3/4"	25,8
R910SX005	1"	50,9
R910SX006	1"1/4	103
R910SX007	1"1/2	147
R910SX008	2"	222



R913L

PART NUMBER	SIZE	Kv
R913LX022	3/8"	7,0
R913LX023	1/2"	13,3
R913LX024	3/4"	25,8
R913LX025	1"	50,9
R913LX026	1"1/4	103



GENERAL CATALOGUE

R914



PART NUMBER	SIZE	Kv
R914X021	1/4"	6,9
R914X022	3/8"	7,0
R914X023	1/2"	13,3
R914X024	3/4"	25,8
R914X025	1"	50,9
R914X026	1" 1/4	103
R914X001	1/4"	6,9
R914X002	3/8"	7,0
R914X003	1/2"	13,3
R914X004	3/4"	25,8
R914X005	1"	50,9
R914X006	1" 1/4	103

R919



PART NUMBER	SIZE	Kv
R919X003	1/2" x 1/2"	13,3
R919X004	1/2" x 3/4"	13,3
R919X005	3/4" x 3/4"	25,8
R919X006	3/4" x 1"	25,8
R919X007	1" x 1"	50,9
R919X008	1" x 1" 1/4	50,9
R919X009	1" 1/4 x 1" 1/4	103

R914L



PART NUMBER	SIZE	Kv
R914LX021	1/4"	6,9
R914LX022	3/8"	7,0
R914LX023	1/2"	13,3
R914LX024	3/4"	25,8
R914LX025	1"	50,9
R914LX026	1" 1/4	103
R914LX027	1" 1/2	147
R914LX028	2"	222
R914LX001	1/4"	6,9
R914LX002	3/8"	7,0
R914LX003	1/2"	13,3
R914LX004	3/4"	25,8
R914LX005	1"	50,9
R914LX006	1" 1/4	103
R914LX007	1" 1/2	147
R914LX008	2"	222

R919S



PART NUMBER	SIZE	Kv
R919SX003	1/2" x 1/2"	13,3
R919SX004	1/2" x 3/4"	13,3
R919SX005	3/4" x 3/4"	25,5
R919SX006	3/4" x 1"	25,5
R919SX007	1" x 1"	50,9
R919SX008	1" x 1" 1/4	50,9
R919SX009	1" 1/4 x 1" 1/4	103

R950



PART NUMBER	SIZE	Kv
R950X021	1/4"	6,9
R950X022	3/8"	7,0
R950X023	1/2"	13,3
R950X024	3/4"	25,8
R950X025	1"	50,9
R950X026	1" 1/4	103
R950X027	1" 1/2	147
R950X028	2"	222
R950X001	1/4"	6,9
R950X002	3/8"	7,0
R950X003	1/2"	13,3
R950X004	3/4"	25,8
R950X005	1"	50,9
R950X006	1" 1/4	103
R950X007	1" 1/2	147
R950X008	2"	222

R918



PART NUMBER	SIZE	Kv
R918Y003	15	13,3
R918Y004	22	25,8
R918Y005	28	50,9
R918Y006	35	103



R951

PART NUMBER	SIZE	Kv
R951X021	1/4"	6,9
R951X022	3/8"	7,0
R951X023	1/2"	13,3
R951X024	3/4"	25,8
R951X025	1"	50,9
R951X026	1" 1/4	103
R951X001	1/4"	6,9
R951X002	3/8"	7,0
R951X003	1/2"	13,3
R951X004	3/4"	25,8
R951X005	1"	50,9
R951X006	1" 1/4	103



R782

PART NUMBER	SIZE	Kv
R782X003	1/2"	4,8
R782X004	3/4"	8,0
R782X005	1"	21,3



R782L

PART NUMBER	SIZE	Kv
R782LX003	1/2"	4,8
R782LX004	3/4"	8,0
R782LX005	1"	21,3



R780

PART NUMBER	SIZE	Kv
R780X003	1/2"	4,8
R780X004	3/4"	8,0
R780X005	1"	21,3



R783

PART NUMBER	SIZE	Kv
R783X003	1/2"	4,8
R783X004	3/4"	8,0
R783X005	1"	21,3



R780L

PART NUMBER	SIZE	Kv
R780LX003	1/2"	4,8
R780LX004	3/4"	8,0
R780LX005	1"	21,3



R783L

PART NUMBER	SIZE	Kv
R783LX003	1/2"	4,8
R783LX004	3/4"	8,0
R783LX005	1"	21,3



R781

PART NUMBER	SIZE	Kv
R781X003	1/2"	4,8
R781X004	3/4"	8,0
R781X005	1"	21,3



R789

PART NUMBER	SIZE	Kv
R789X003	1/2" x 1/2"	4,8
R789X004	3/4" x 3/4"	8,0
R789X005	1" x 1"	21,3



R781L

PART NUMBER	SIZE	Kv
R781LX003	1/2"	4,8
R781LX004	3/4"	8,0
R781LX005	1"	21,3



R281

PART NUMBER	SIZE	Kv
R281X004	3/4"	18,5



GENERAL CATALOGUE

R289



PART NUMBER	SIZE	Kv
R289X004	3/4"	18,5

R289S



PART NUMBER	SIZE	Kv
R289SX004	3/4"	18,5

R251P



PART NUMBER	SIZE	Kv
R251PX003	1/2" x 3/4"	10,2
R251PX004	3/4" x 3/4"	10,2
R251PX005	3/4" x 1"	18,5
R251PX006	1" x 1"	36,3
R251PY003	1/2" x 3/4"	10,2
R251PY004	3/4" x 3/4"	10,2
R251PY005	3/4" x 1"	18,5
R251PY006	1" x 1"	36,3

R251WP



PART NUMBER	SIZE	Kv
R251WX053	1/2" x 3/4"	10,2
R251WX054	3/4" x 3/4"	10,2
R251WX055	3/4" x 1"	18,5
R251WX056	1" x 1"	36,3
R251WY053	1/2" x 3/4"	10,2
R251WY054	3/4" x 3/4"	10,2
R251WY055	3/4" x 1"	18,5
R251WY056	1" x 1"	36,3

R254P



PART NUMBER	SIZE	Kv
R254PX004	3/4" x 3/4"	10,2
R254PY003	1/2" x 3/4"	10,2
R254PY004	3/4" x 3/4"	10,2

R752



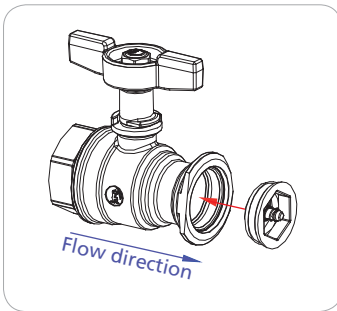
PART NUMBER	SIZE	Kv
R752X003	1/2" x 3/4"	12,7
R752X005	3/4" x 1"	24,6

► FITTINGS

R288 – Check in plastic material for ball valves for pump connection R285 and R285L.



PART NUMBER	SIZE
R288Y005	1"
R288Y006	1" 1/4



Assembly diagram R288 on R285 or R285L

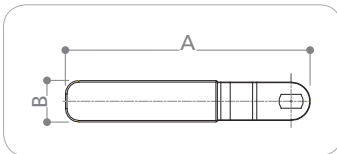
The check guarantees that water circulates in the direction imposed by the pump, the opposite direction can damage the rotor and/or the electrical motor that drives it.

P31L – Lever handle for ball valves.

Narrow lever



RED LEVER HANDLE		YELLOW LEVER HANDLE	
PART NUMBER	SIZE	PART NUMBER	SIZE
P31LRY001	1/4"	P31LGY001	1/4"
P31LRY002	3/8"-1/2"	P31LGY002	3/8"-1/2"
P31LRY003	3/4"-1"-1" 1/4	P31LGY003	3/4"-1"-1" 1/4
P31LRY004	1" 1/2-2"	P31LGY004	1" 1/2-2"
P31LRY005	2" 1/2-3"	P31LGY005	2" 1/2-3"
P31LRY005	4"	P31LGY005	4"



SIZE	A	B
1/4"	50	13
3/8"-1/2"	85	15
3/4"-1"-1" 1/4	104	18
1" 1/2-2"	148	20
2" 1/2-3"	188	24
4"	203	27

Large lever



RED LEVER HANDLE		YELLOW LEVER HANDLE		GREEN LEVER HANDLE	
PART NUMBER	SIZE	PART NUMBER	SIZE	PART NUMBER	SIZE
P31LRY102	3/8"-1/2"	P31LGY102	3/8"-1/2"	P31LVY102	3/8"-1/2"
P31LRY103	3/4"-1"-1" 1/4	P31LGY103	3/4"-1"-1" 1/4	P31LVY103	3/4"-1"-1" 1/4
P31LRY104	1" 1/2-2"	P31LGY104	1" 1/2-2"	P31LVY104	1" 1/2-2"



SIZE	A	B
3/8"-1/2"	85	20
3/4"-1"-1" 1/4	104	25
1" 1/2-2"	148	30



GENERAL CATALOGUE

P31F - T handle for ball valves.



RED T HANDLE	
PART NUMBER	SIZE
P31FRY001	1/4"
P31FRY002	3/8"-1/2"
P31FRY003	3/4"-1"-1" 1/4

YELLOW T HANDLE	
PART NUMBER	SIZE
P31FGY001	1/4"
P31FGY002	3/8"-1/2"
P31FGY003	3/4"-1"-1" 1/4

GREEN T HANDLE	
PART NUMBER	SIZE
P31FVY002	3/8"-1/2"
P31FVY003	3/4"-1"-1" 1/4

R747 - Locking plate for ball valves lever handles.



PART NUMBER	SIZE
R747Y001	3/8"-1/2"
R747Y002	3/4"-1"-1" 1/4
R747Y003	1" 1/2-2"

R748 - Opening limiter for ball valves lever handles.



PART NUMBER	SIZE
R748Y001	3/8"-1/2"
R748Y002	3/4"-1"-1" 1/4
R748Y003	1" 1/2-2"

R749 - Wedge for ball valves handles.

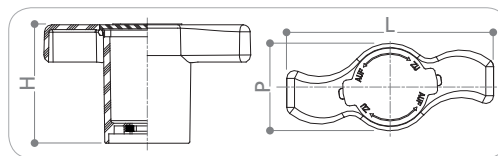


PART NUMBER	SIZE
R749Y002	3/4"-1"-1" 1/4
R749Y003	1" 1/2-2"

R749F - Plastic extended T handle for ball valves.



PART NUMBER	SIZE	H	L	P
R749FY001	3/8"-1/2"	45	78	33
R749FY002	3/4"-1"-1" 1/4	45	78	33
R749FY003	1" 1/2-2"	65	98	35



Installation sequence



Unscrew the nut with the special wrench.



Remove the lever.



Position the handle raised R749F.

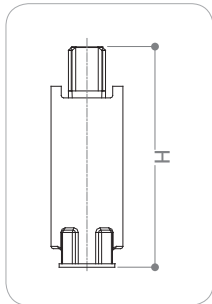


With the specific socket wrench tightly screw the nut.



Apply the covering plate.

R749T - -- Tubular wedge for ball valves handles.



CHROME PLATED PART NUMBER	BRASS FINISHED PART NUMBER	USE	H
R749TX001	R749TY001	3/8"-1/2" ball valves with self-sealing nut	50
R749TX101	R749TY101	3/8"-1/2" ball valves with guarantee seal and hologram	50
R749TX002	R749TY002	3/4"-1"-1" 1/4 ball valves with self-sealing nut	61,5
R749TX102	R749TY102	3/4"-1"-1" 1/4 ball valves with guarantee seal and hologram	61,5
R749TX003	R749TY003	1" 1/2"-2" ball valves with self-sealing nut	81
R749TX103	R749TY103	1" 1/2"-2" ball valves with guarantee seal and hologram	81
R749TX004	R749TY004	2" 1/2"-3" ball valves	93,5
R749TX005	R749TY005	4" ball valves and 2" 1/2"-3" nut	107

Installation sequence



Unscrew the nut
with the special
wrench.



Remove the lever.



Position the
handle raised
R749F.



Put back the lever
and with the
special wrench
tightly screw the
nut.

February 2008

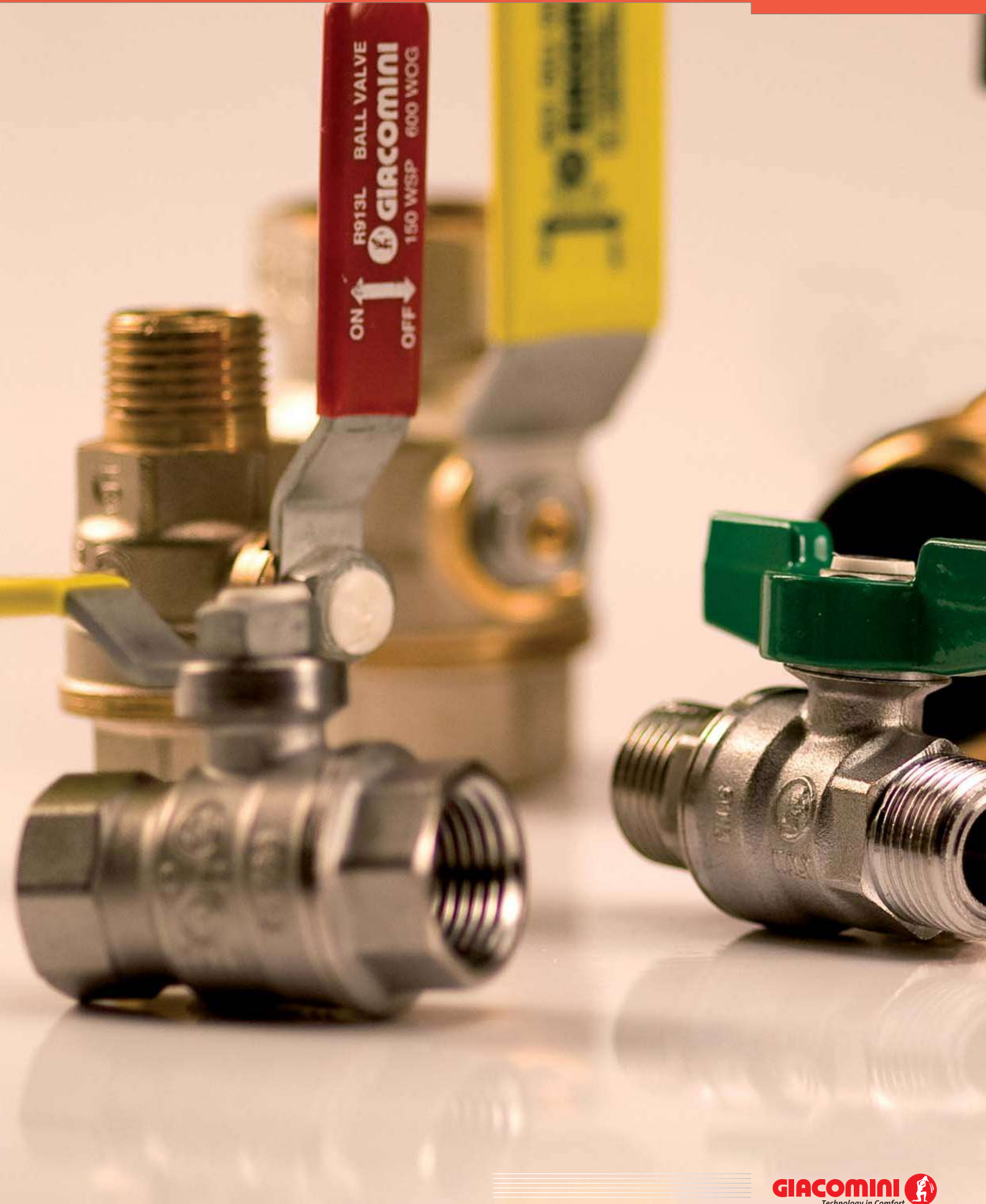
0312EN

ISO 9001: 2000



GENERAL CATALOGUE





R913L BALL VALVE
GIACOMINI
150 WSP 600 WCG

ON ↑
↓ OFF

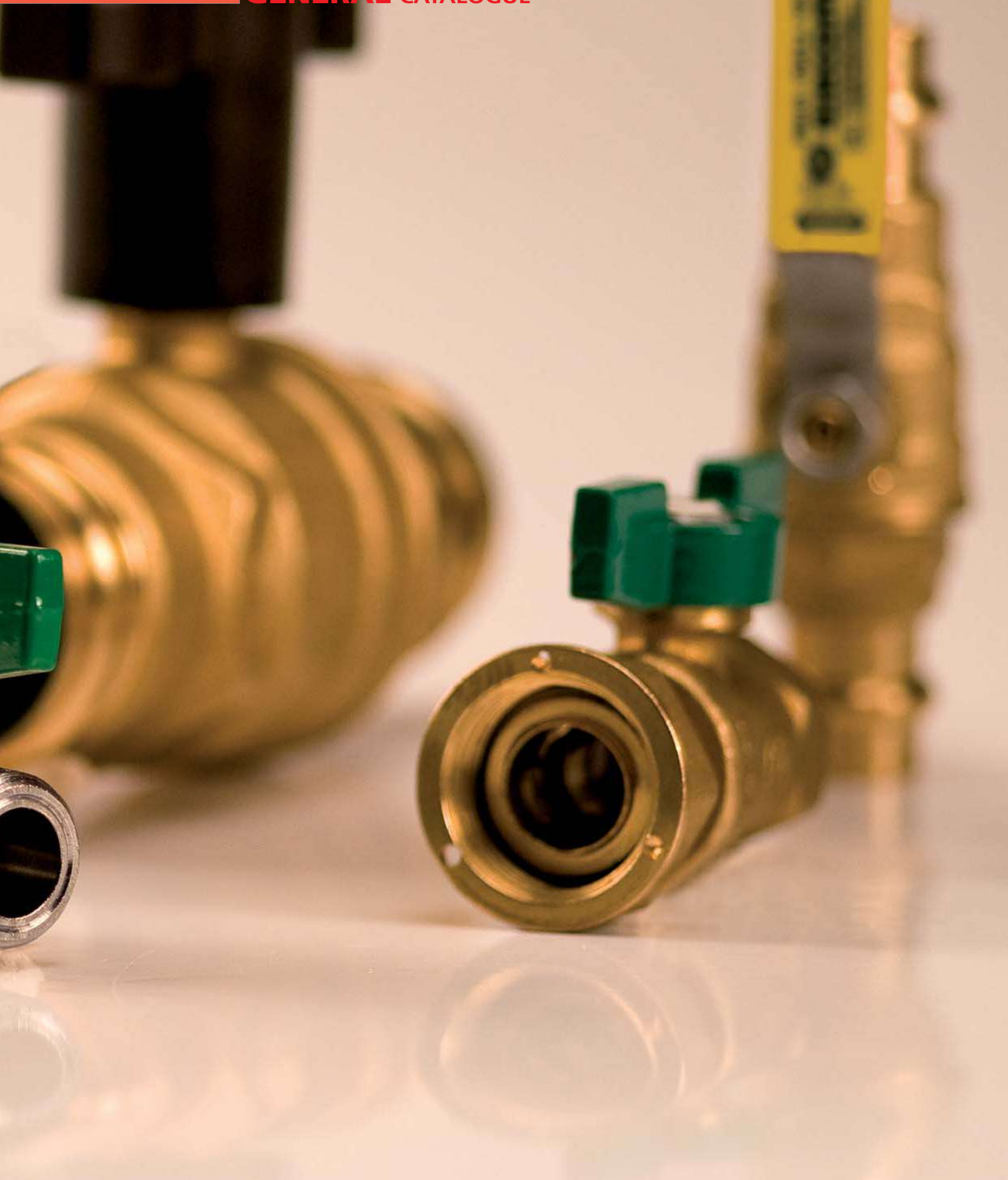
February 2008

0312EN

ISO 9001: 2000



GENERAL CATALOGUE





GIACOMINI SPA
Via for Alzo,39
28017 San Maurizio d'Opaglio (NO) ITALY
tel. 0322 923111 - fax 0322 96256
and-mail: info@giacomini.com
internet: www.giacomini.com