



WHS VALVE - Anti Water Hammer System

TECHNICAL FACTSHEET

PN10

Yellow or Nichel-Plated

Anti Water Hammer System

470

Function

A **water hammer** is a hydraulic phenomenon that occurs when the flow of water in a pipe is forced to stop by the sudden closure of a valve (or, sometimes, also when a closed pipe is suddenly opened). The magnitude of a water hammer depends on a number of variables, including the length and diameter of the pipe, the velocity of the fluid and, more significantly, the speed at which the shutoff device or valve is closed. In recent years, water hammer problems have become more common due to the gradual disappearance of the typical screw-down tap from most domestic systems and its replacement with the more modern lever mixer tap.



FARG **hammer arrestors** are mechanical devices that do not require any maintenance. For best results, place as close as possible to the appliance from where the water hammer originates, so as to dampen pressure surges as much as possible.

The installation of a **WHS hammer arrestor** near single-lever mixer taps, solenoid valves, ball valves and certain home appliances prevents the occurrence of the negative effects induced by water hammers.

Technical and Construction Characteristics

Available size: 1/2" G

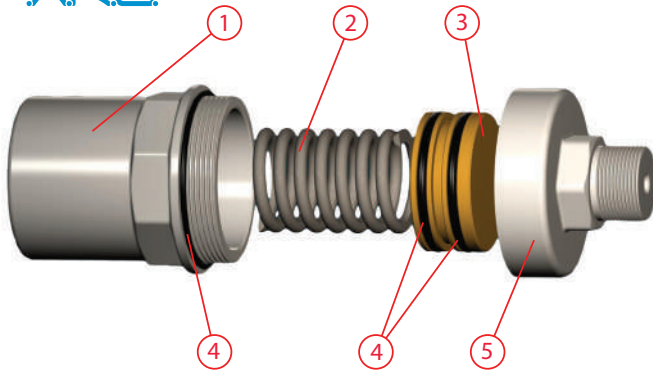
Fluid: water

Maximum recommended operating pressure: 10 bar

Maximum water hammer pressure: 50 bar

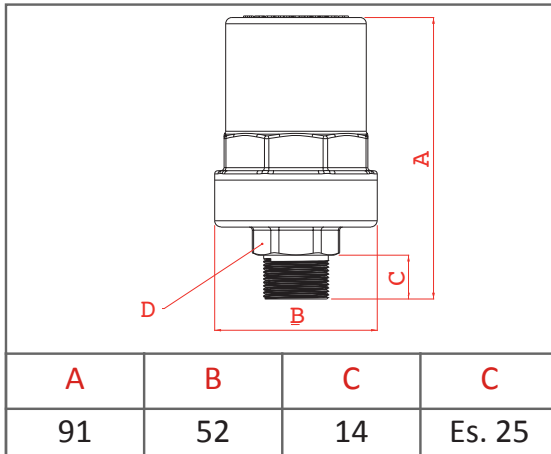
Maximum operating temperature: 90°C (t. min 0°C not to be use in frost condition)

*All **WHS valves** - Anti Water Hammer System, before being packed, are tested one by one for check hydraulic seal and good working.*



- 1 SOCKETCW 617N UNI EN 12165
- 2 SPRINGC72 DIN 17223-84
- 3 DISKCW 614N UNI EN 12164
- 4 O-RINGEPDM
- 5 1/2" SPIGOTCW 617N UNI EN 12165

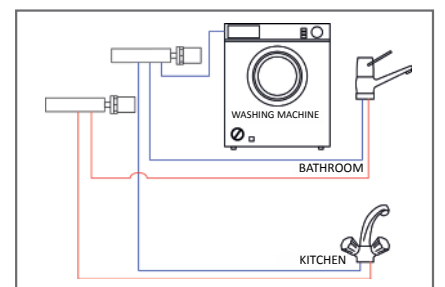
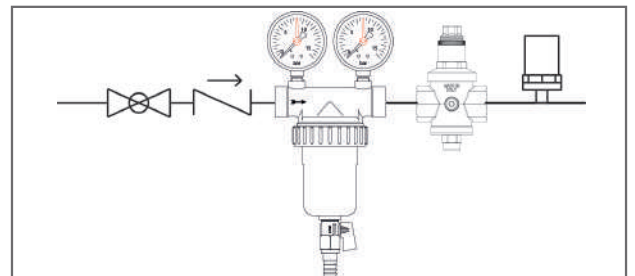
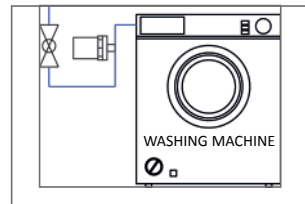
Dimensions and Operating



The WHS hammer arrestor can be described as cylinder divided in two chambers, separated by a disk, each kept fully sealed by an O-ring. As well as exploiting the compressibility of air, the “closed” chamber is equipped with a spring, which absorbs and evens out the sudden increase in pressure that occurs in the “open” chamber (the one connected to the system) during water hammer propagation.

The WHS hammer arrestor is generally suitable for individual users or small groups of users. For more severe water hammer problems, a possible solution would be the installation of an expansion vessel that has been accurately sized to suit the specific situation.

Note: although plastic pipes are, because of their flexibility, more able to absorb the pressure surges originated by water hammers, they are also more fragile and, therefore, in some cases, the pressure developed can exceed their actual strength. For this reason, the installation of a WHS hammer arrestor on systems employing plastic pipes is even more important.



release 01- Maggio 2016

F.A.R.G. srl

28045 Inverio - Novara - Italy
Via C. Battisti n°77

Tel. +39 0322 255193

Fax +39 0322 259487

www.farg.it - info@farg.it

Azienda certificata ISO 9001:2008

ISO 9001

BUREAU VERITAS
Certification



made in Italy, made in F.A.R.G.