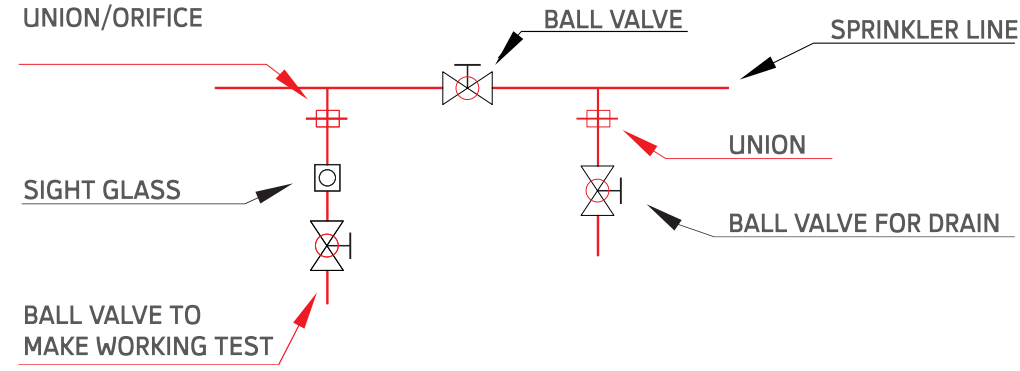


CONVENTIONAL DRAIN & TEST KIT



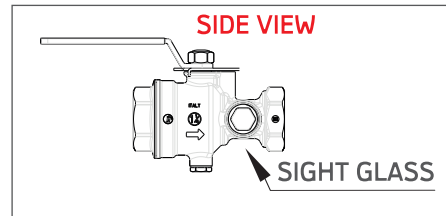
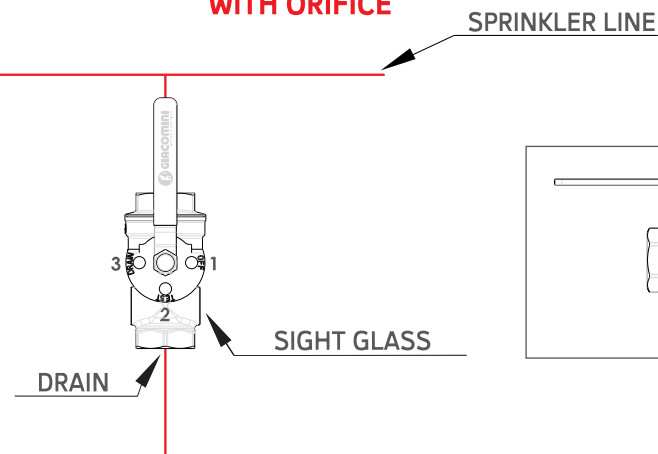
FIXTURES

- UNION
- SIGHT GLASS
- BALL VALVE
- TEE
- ORIFICE



TEST & DRAIN VALVE WITH ORIFICE

- Functions
- 1 - OFF
 - 2 - TEST
 - 3 - DRAIN



PRODUCTS INSTALLATION



- | | | | | |
|--|--|--|--|---|
| 1
Straight two-way male outlet | 4
Plate Auto. SPKR. /Plate Stand pipe | 5
Manifold | 6
Pressure restricting valve | 7
Angle pressure reducing valve |
| 2
Angle hose valve | 3
Straight concealed siamese/90° concealed siamese | 3
Check snoot | 3
Hose rack mounting nipple | 3
Reducer |
| 2
Test and drain | 3
Male open snoot | 3
Straight pressure reducing valve | 3
Female to male reducing | 3
Coupling |
| 2
Plug and chain | 3
Adjustable fog nozzle | 3
Coupling | 3
Adjustable fog nozzle | 3
Adjustable fog nozzle |



TEST AND DRAIN VALVE



www.giacomini.in

Additional information

For additional information please check the Giacomini website at the following address: www.giacomini.in

INDIA ☎ +91 22 2167 6767 📠 +91 22 2167 6707 ✉ info@giacomini.in

ITALY ☎ +39 0322 923 372 📠 +39 0322 923 255 ✉ consulenza.prodotti@giacomini.com

This brochure is merely for information purposes. Giacomini retains the right to make modifications for technical or commercial reasons, without prior notice, to the items described in this brochure. The information described in this technical brochure does not exempt the user from following carefully the existing regulations and norms on good workmanship.

Giacomini India Pvt Ltd : G-3 Neel Madhav Near Navneet Hospital, V. P. Cross road Mulund (West) Mumbai - 400080.



w.e.f. NOV-16



MATERIALS

- Forged brass body
- Chrome plated ball
- Steel handle
- Valve seat in PTFE
- Indication disk in brass
- Sight glasses in polycarbonate

DESCRIPTION

A61 Giacomini Test and Drain valve for sprinkler systems combines the functions of test and drain for wet sprinkler systems. A61 valves have forged brass body with chrome plate brass ball valve and PTFE seats. The valves complies with the requirements of NFPA-13, NFPA-13R and NFPA-13D. The A61 valves are single handle ball valves with three working positions. They include tamper resistant test orifice and sight glass for the visual control.

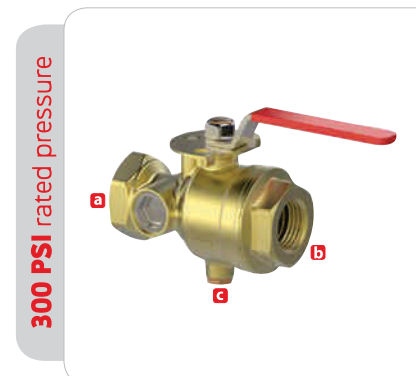
PRODUCT SPECIFICATIONS

A61
Test and drain valve for sprinkler systems combines the functions of test and drain for wet sprinkler systems. complies with the requirements of NFPA-13, NFPA-13R and NFPA-13D.

Main feature as following:

- NPT threads 1" - 1 1/4" - 2"
- Groove connectins 1 1/4" - 2"
- Forged brass body
- Chrome plate brass ball valve
- PTFE seats.
- Single handle ball valves with three working positions
- Tamper resistant test orifice and sight glass included

Approvals



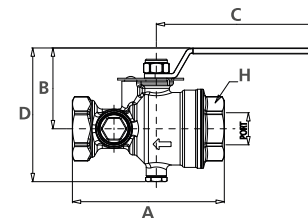
A61 TEST AND DRAIN VALVE

FEMALE x FEMALE NPT

It combines the function of testing and draining the system.

Standard equipment :
Female NPT inlet and outlet, forged brass body, chrome plated ball with PTFE seats.

	1" & 1 1/4"	2"
C (PLUG)	1/4"	1/4"
PORT	1 1/16"	1 12/16"
A	5 1/32"	6 6/32"
B	2 43/64"	4"
C	5 11/32"	6 26/32"
D	4 27/64"	6 21/64"
H	1 57/64"	2 40/64"



ITEM CODE	a/b	HORIFICE	K FACTOR	₹
A61Y001	1"	3/8"	2.8	6415
A61Y003	1"	7/16"	4.2	
A61Y005	1"	1/2"	5.6	
A61Y015	1"	17/32"	8.0	

A61Y002	1 1/4"	3/8"	2.8	7370
A61Y004	1 1/4"	7/16"	4.2	
A61Y006	1 1/4"	1/2"	5.6	
A61Y016	1 1/4"	17/32"	8.0	
A61Y012	1 1/4"	5/8"	11.2	
A61Y010	1 1/4"	3/4"	14.0	

A61Y030	2"	7/16"	4.2	13090
A61Y032	2"	1/2"	5.6	
A61Y033	2"	17/32"	8.0	
A61Y034	2"	5/8"	11.2	
A61Y035	2"	3/4"	14.0	
A61Y036	2"	15/16"	16.8	
A61Y037	2"	1 5/64"	22.4	
A61Y038	2"	1 9/64"	25.2	



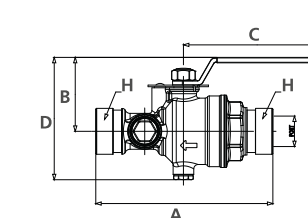
A61 TEST AND DRAIN VALVE

GROOVE x GROOVE

It combines the function of testing and draining the system.

Standard equipment :
Groove inlet and outlet, forged brass body, chrome plated ball with PTFE seats.

	1 1/4"	2"
C (PLUG)	1/4"	1/4"
PORT	1 1/16"	1 12/16"
A	6 13/32"	7 17/32"
B	2 43/64"	4"
C	5 11/32"	6 26/32"
D	4 27/64"	6 21/64"
H	1 1/4" GROOVE	2" GROOVE



ITEM CODE	a/b	ORIFICE	K FACTOR	₹
A61Y052	1 1/4"	3/8"	2.8	10500
A61Y080	1 1/4"	7/16"	4.2	
A61Y056	1 1/4"	1/2"	5.6	
A61Y058	1 1/4"	17/32"	8.0	
A61Y062	1 1/4"	5/8"	11.0	
A61Y060	1 1/4"	3/4"	14.0	

A61Y080	2"	7/16"	4.2	18770
A61Y082	2"	1/2"	5.6	
A61Y083	2"	17/32"	8.0	
A61Y062	2"	5/8"	11.2	
A61Y085	2"	3/4"	14.0	
A61Y086	2"	15/16"	16.8	
A61Y087	2"	1 5/64"	22.4	
A61Y088	2"	1 9/64"	25.2	

U.S. Patent
N°6,196,262